

Order form - Side Hinged Garage Door GSW 40-L

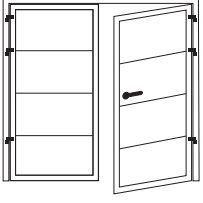
Date:	Customer Order Number:	Number of Sheets:
-------	------------------------	-------------------

Customer Name:	Contact Number:
----------------	-----------------

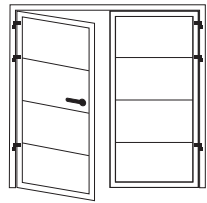
Deliver To:	Invoice To:
-------------	-------------

Handing always viewed from outside the garage


Opening




Double RIGHT Leading Open OUT




Double LEFT Leading Open OUT




Single RIGHT Hinged Open OUT



Single LEFT Hinged Open OUT



Single RIGHT Hinged Open IN



Single LEFT Hinged Open IN

NOTE: Order by over frame dimensions. Deduct 20mm from the width and 10mm from the height of the structural opening size to allow for coursing tolerance. Doors ordered by structural opening size will be manufactured with 20mm deducted from the width and 10mm from the height.



Over Frame Width:	Over Frame Height:	Quantity
-------------------	--------------------	----------

Panel, Frame & Hinges

















Panel Profile:	<input type="checkbox"/> Georgian	<input type="checkbox"/> Standard Rib	<input type="checkbox"/> Centre Ribbed	<input type="checkbox"/> Solid
Panel Surface: (Inside Stucco)	<input type="checkbox"/> Woodgrain	<input type="checkbox"/> Stucco	<input type="checkbox"/> Smooth	<input type="checkbox"/> Micro-Profiled
Panel Colour: RAL 9002 Inside	<input type="checkbox"/> RAL 9016	<input type="checkbox"/> Trend Colour:	<input type="checkbox"/> RAL Colour:	
Wood Design: RAL 9002 Inside	<input type="checkbox"/> Golden Oak	<input type="checkbox"/> Rosewood	<input type="checkbox"/> Night Oak	
Frame Colour:				
Hinge Colour:				

Orientation

Panel orientation for Georgian, Standard Rib, Centre Rib or Solid Style:

Horizontal  Vertical 

Split Leaf split 1/2 - 1/2 Asymmetric

Glazing	<input type="checkbox"/> Type Rectangle 1 610 x 270 	<input type="checkbox"/> Type Square Stainless 230 x 230 	Quantity: <input style="width:50px;" type="text"/>
	<input type="checkbox"/> Type Cross Mullion 1 610 x 270 	<input type="checkbox"/> Type Square Stainless 230 x 230 	
	<input type="checkbox"/> Type Multiple Mullion 1 610 x 270 	<input type="checkbox"/> Type Square Stainless 310 x 310 	
	<input type="checkbox"/> Type Rhombus 1 610 x 270 	<input type="checkbox"/> Type Square Stainless 310 x 310 	
	<input type="checkbox"/> Type Rectangular 2 680 x 210 	<input type="checkbox"/> Type Square Aluminium 280 x 280 	
	<input type="checkbox"/> Type Square 1 Polymer 270 x 270 	<input type="checkbox"/> Type Square Aluminium 280 x 280 	
	<input type="checkbox"/> Type Square 2 Polymer 270 x 270 	<input type="checkbox"/> Type Round Stainless Ø 242 	
	<input type="checkbox"/> Type Round Glazing Polymer Ø 385 	<input type="checkbox"/> Type Round Stainless Ø 330 	

Glazing Polymer: Clear Frosted Satin

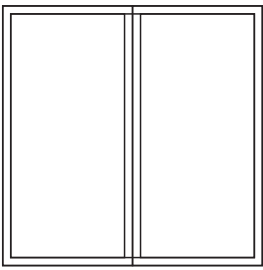
Glazing Stainless: Clear Satin

Glazing Aluminium: Satin

Frame Colour Trend: _____

RAL: _____

Please indicate the position of the windows required.



Painted Wood Design windows are finished in a complementary flat colour for Golden Oak (RAL8003), Rosewood (RAL8016) and Dark Oak (RAL8014).

Notes

Accessories

Raised threshold profile (Supplied in place of standard threshold)

Three point locking (Active leaf)

Stainless D Handle Ø 38 x 1200mm

Stainless D Handle Ø 38 x 1500mm

TOTAL £