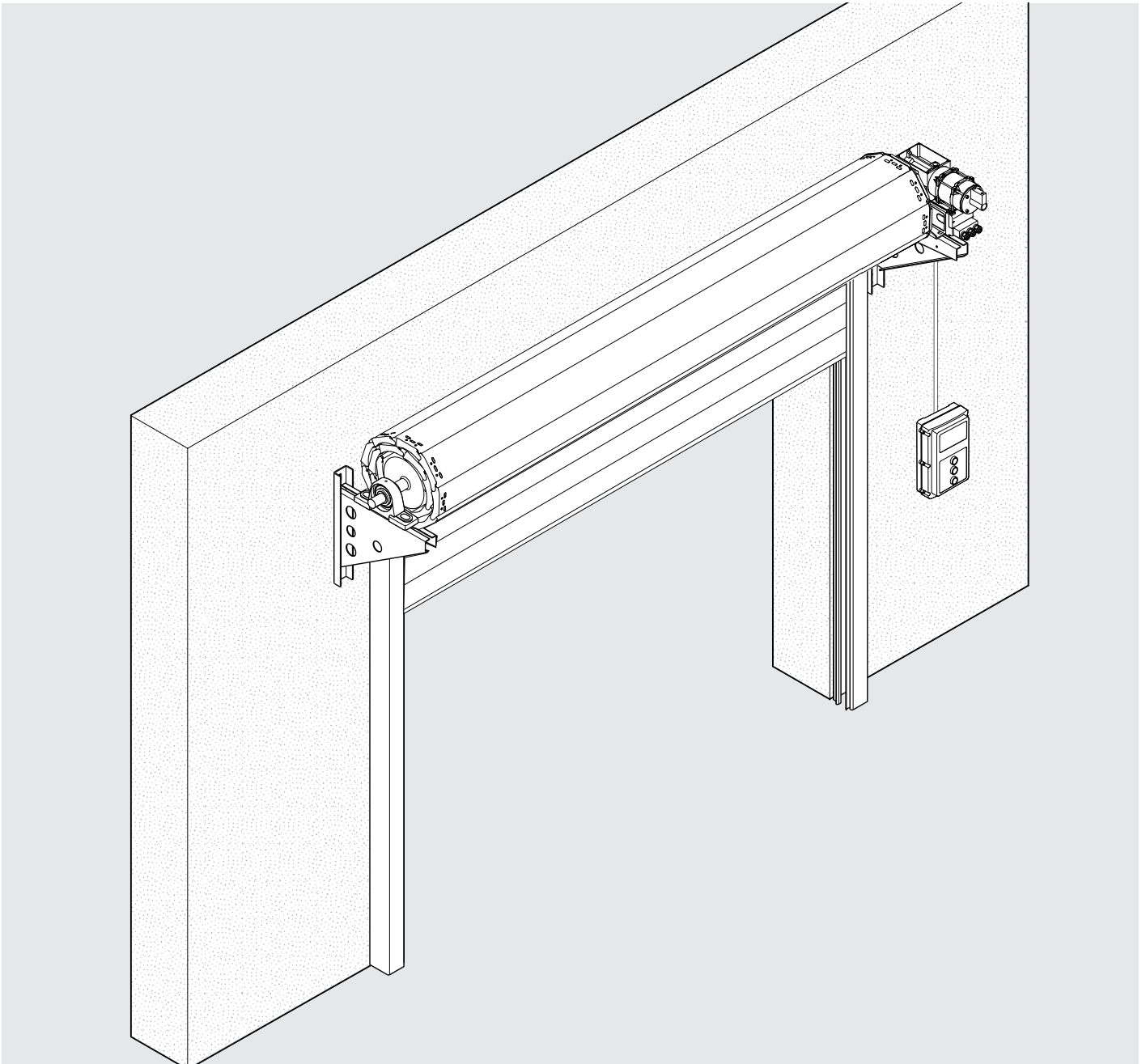


GB

## Fitting instructions

for Roller Shutter for industry

Update: 10.2013



# 1. Table of Contents

<b>1.</b>	<b>Table of Contents</b> .....	<b>2</b>
<b>2.</b>	<b>Symbol Explanation</b> .....	<b>3</b>
<b>3.</b>	<b>General information</b> .....	<b>4</b>
3.1	Target group .....	4
3.2	Warranty .....	4
3.3	General safety instructions .....	4
3.4	Requirements of the place of installation/use .....	4
<b>4.</b>	<b>General</b> .....	<b>5</b>
4.1	Package contents .....	5
4.2	Diagram .....	6
4.3	Control measurements .....	6
<b>5.</b>	<b>Installation</b> .....	<b>7</b>
5.1	Preparing for installation .....	7
5.2	Installing the consoles .....	7
5.3	Installing the guide rails .....	8
5.4	Installing the door curtain .....	10
5.5	Inserting the door curtain .....	12
5.6	Connecting the drive .....	14
5.7	Setting up the end switch .....	14
5.8	Installing the brush strip .....	15
5.9	Checking the door system .....	16
<b>6.</b>	<b>Maintenance</b> .....	<b>17</b>

## 2. Symbol Explanation



**Caution! Risk of personal injuries!**

**Attention! Risk of material damages!**

**Note**

**Function check**

**Reference**

## 3. General information

### 3.1 Target group

#### **Installation may only be carried out by skilled personnel.**

Qualified and trained personnel who are able to install the door have the following characteristics:

- They are aware of the general and special safety and accident prevention regulations
- They are trained to use safety equipment
- They are trained to use hand and electrical tools
- They have regularly participated in training sessions organised by the manufacturer

Qualified and trained people who can install the wiring for the drives, the control and for the safety systems have the following characteristics:

- They are aware of the general and special safety and accident prevention regulations
- They are trained to use safety equipment
- They can recognise the dangers that arise due to electricity
- They have received sufficient instruction from electrical specialists
- They have regularly participated in training sessions organised by the manufacturer

### 3.2 Warranty

#### **Warranty relating to terms of function and safety can only be provided if**

- the safety and warning instructions are adhered to,
- the installation has been carried out properly and the steps were carried out in the order indicated in the instructions,
- only original Teckentrup parts and accessories are used
- no additional objects have been attached to the door,
- the components of the delivery specification have not been changed or modified
- the door has been regularly serviced,
- the operator is aware of all the relevant operating instructions (door, drive systems and safety equipment).

### 3.3 General safety instructions

#### **Caution!**

- The danger area is to be generously cordoned off before the installation takes place.
- People who are not involved in installing the door must not be permitted to enter the danger area.
- The installation must be carried out by at least two people.
- The installation must take place from a safe place (e. g. scaffolding).
- The diagrams included have priority.

### 3.4 Requirements of the place of installation/use

- The door can only be installed on foundations that statically permit installation to take place.
- The finished floor must be level and horizontal.
- The walls on the open side must be in alignment with one another.





## 4. General

### 4.2 Diagram

The diagrams show the drive installed on the inner right-hand side.

If the drive is installed on the inner left-hand side, the instructions must be followed in an inverse manner.

All measurements are given in millimetres.

Variable measurements that are determined on the door itself or with the assistance of the door-specific diagram are marked with (X).

We reserve the right to make technical changes.

### 4.3 Control measurements

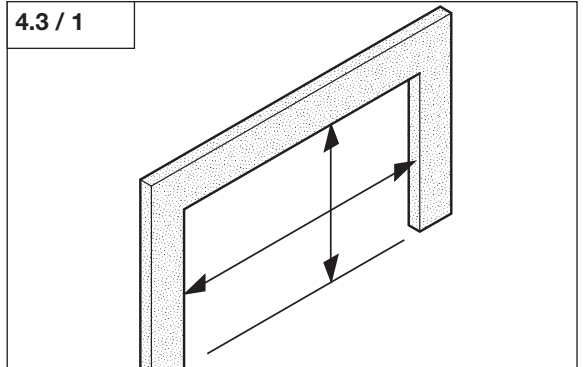


#### Reference:

See the order confirmation or the door-specific diagram for information on the ordering dimensions of the door.

- Check that the ordering dimensions of the door are compatible with the structural conditions.
- Before installation, test the production tolerances of all the components.

4.3 / 1



#### Note:

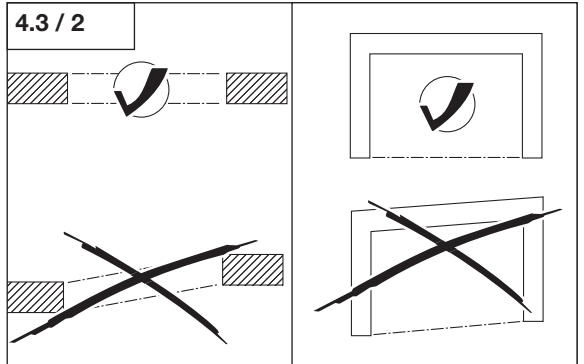
The following conditions must apply before the door can be installed:

- The finished floor must be level and horizontal.
- The walls on the open side must be in alignment with one another.

Any permissible deviations must be clarified with the manufacturer prior to the door being installed.

- Check the ground beneath where the door is to be installed.

4.3 / 2



## 5. Installation

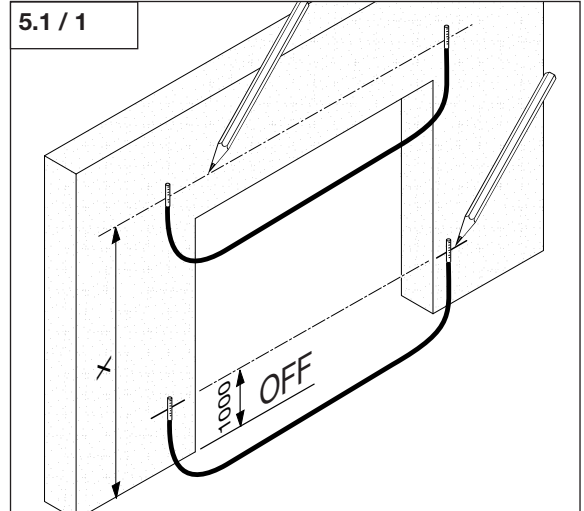


### 5.1 Preparing for installation

**Reference:**

See the door-specific diagram for the measurement (X) of the centre winding shaft.

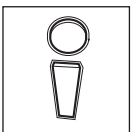
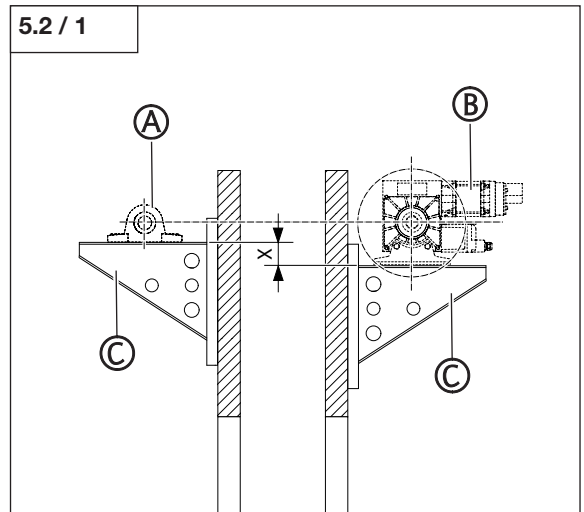
- Mark the one metre level.
- Mark the one metre level on the other side as well.
- Mark the centre of the winding shaft (X).



### 5.2 Installing the consoles

**Note:**

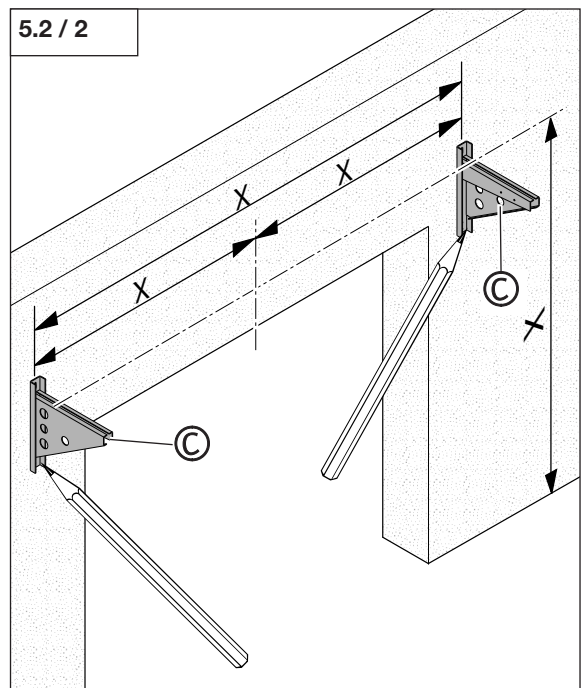
Due to the different installation heights of the bearing (A) and the drive (B), the offset (X) must be taken into account when the consoles (C) are being installed.



**Reference:**

See the door-specific diagram for information on the dimensions (X) for the positions of the consoles (C).

- Mark the installation position of the consoles (C).



## 5. Installation



### Note:

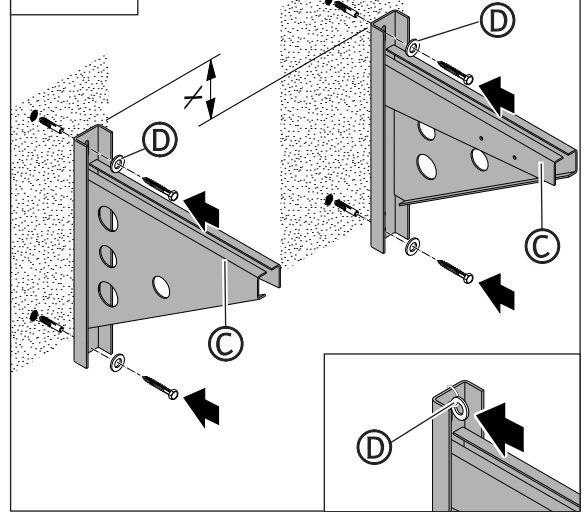
The washers (D) that are attached to the consoles (C) must be positioned at the top hole in the consoles (C).

### Reference:

The fastening material and starting torque are dependent on the building foundation; see the door-specific diagram for more information.

- Screw the consoles (C) to the wall masonry.

5.2 / 3



### 5.3 Installing the guide rails

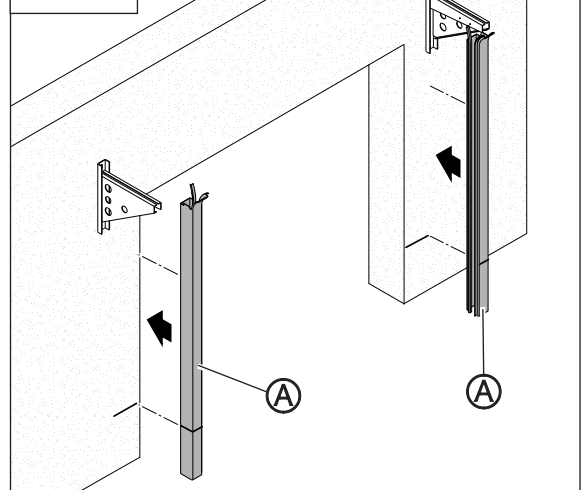


### Reference:

Depending on the local conditions, the guide rails may need to be underlaid. See the door-specific diagram to find out whether this is necessary or not.

- Place the guide rails (A) before the reveal.

5.3 / 1



### Note:

The following points must be applicable for the guide rails to be positioned correctly:

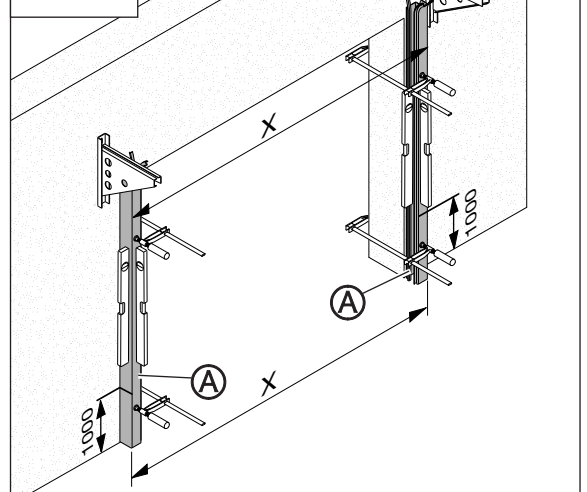
- The one metre level marks are lined up
- The guide rails (A) are vertical
- The distance to the guide rails (X) at the top and bottom is the same

### Reference:

See the door-specific diagram to find out what measurement X is.  
X = the distance measured between the guide rails.

- Align the guide rails (A).
- Secure the position with fastening clamps.

5.3 / 2



## 5. Installation

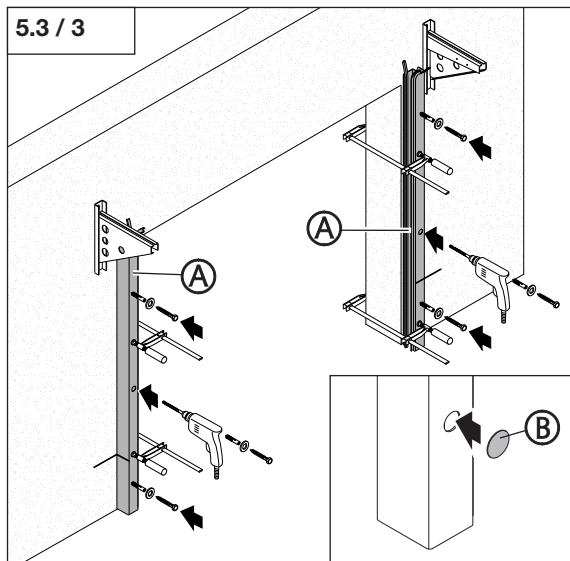


### Reference:

The fastening materials and starting torques are dependent on the building surface; see the door-specific diagram for further information on this.

- Screw the guide rail (A) into the wall in all the positions.
- Place the sealing plugs (B) onto the holes in the guide rails (A).
- Remove the fastening clamps.

5.3 / 3



GB

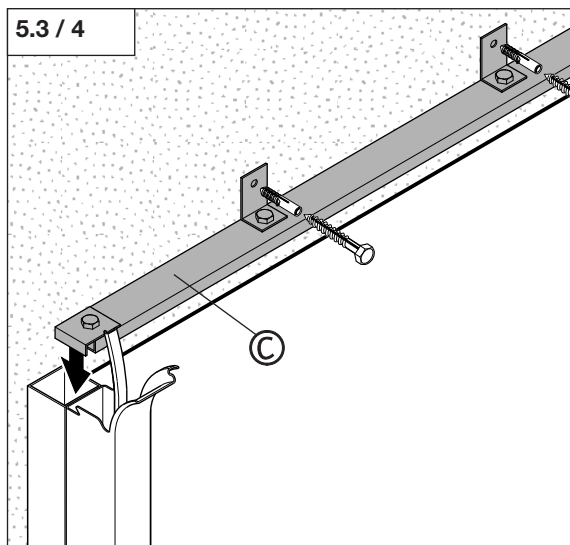


### Note:

For underlaid guide rails, a carrier profile (C) must be installed for the brush strip in front of the reveal.

- Screw in the carrier profile (C) for the brush strip in front of the reveal.

5.3 / 4



## 5. Installation

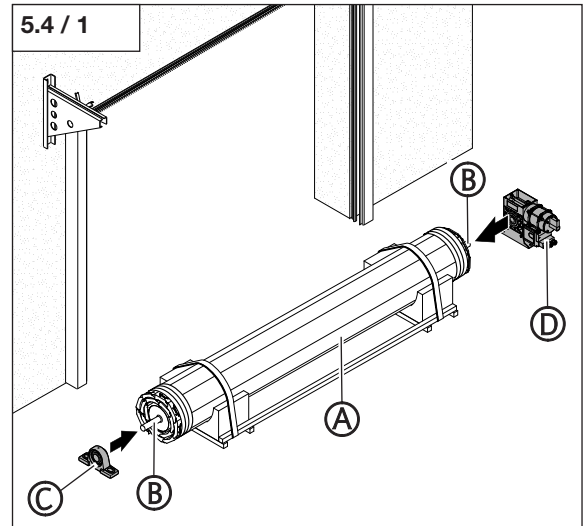
### 5.4 Installing the door curtain



#### Note:

The door curtain (A) must be placed to the door opening in the direction of operation.  
The end of the winding shaft (B) must be greased before the bearing (C) and drive (D) are attached.

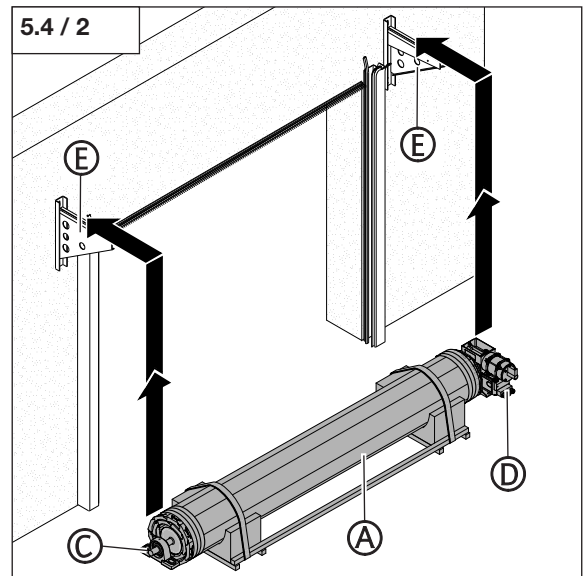
- Place the door curtain (A) in front of the opening.
- Grease the ends of the winding shaft (B).
- Place the bearing (C) and the drive (D) onto the winding shaft (B).



#### Caution!

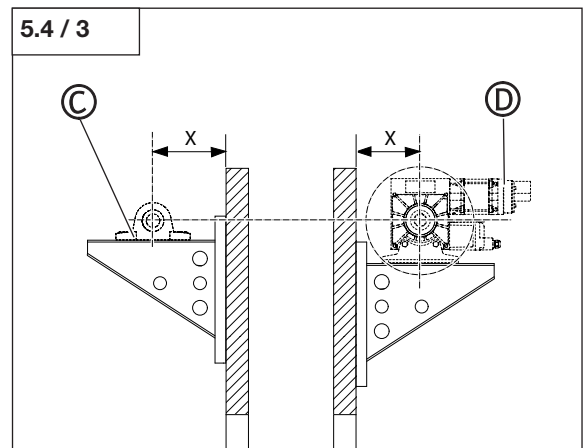
To prevent personal injuries occurring, nobody may stand under the door curtain (A) until the bearing (C) and drive (D) have been screwed on. The door curtain (A), the bearing (C) and the drive (D) must be effectively prevented from falling down.

- Place the door curtain (A) with the bearing (C) and the drive (D) onto the consoles (E).



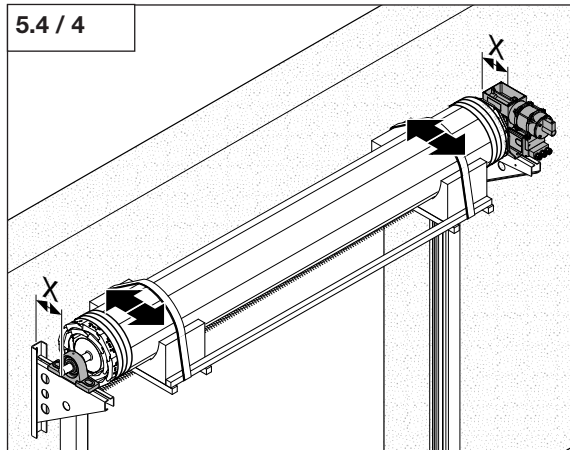
#### Reference:

See the door specific diagram for more information on the wall distance X to pre-set the bearing (C) and drive (D).



## 5. Installation

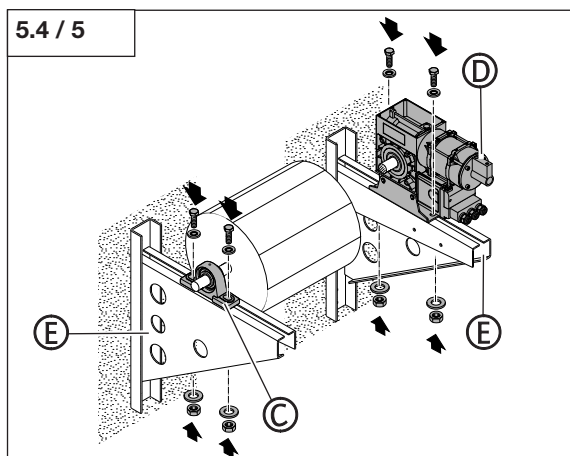
- Set up the distance to the wall (X) on both sides.



### Reference:

See the door-specific diagram for further information on the fastening materials and the starting torque.

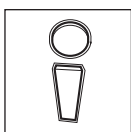
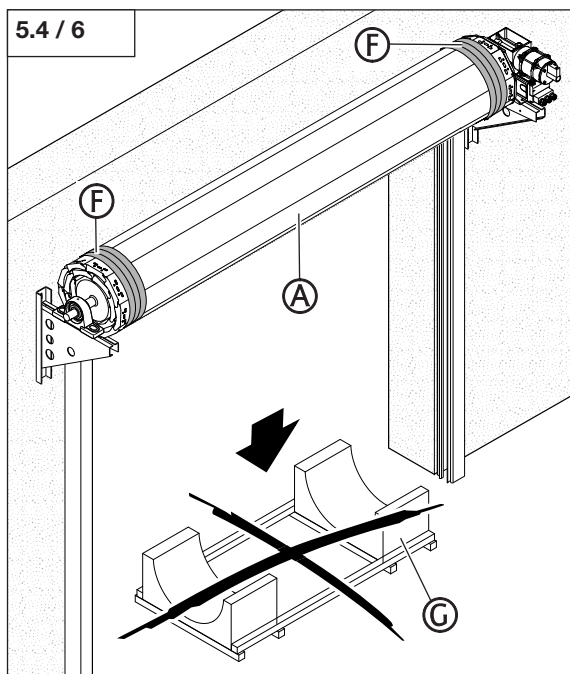
- Screw the bearing (C) and the drive (D) firmly to the consoles (E).



### Caution!

To prevent personal injuries, the stopper (F) must remain on the door curtain; this prevents the door curtain (A) from falling down inadvertently.

- Remove the transport material (G).



## 5. Installation

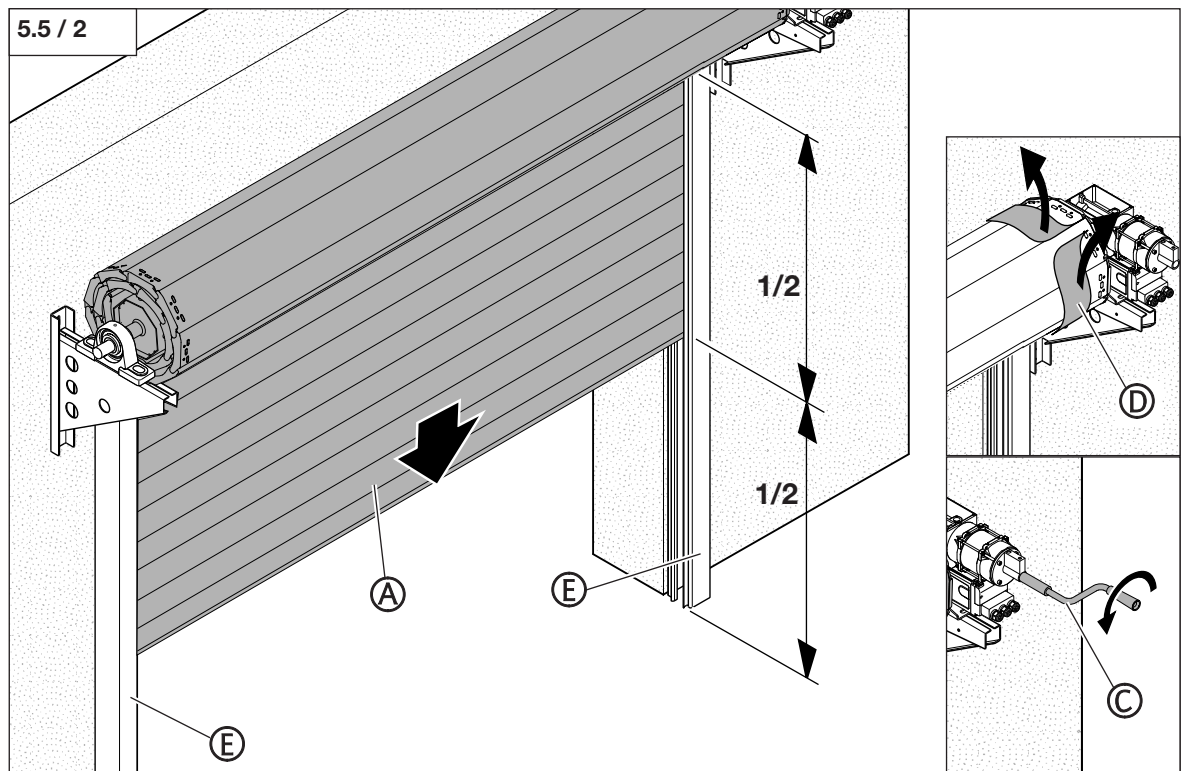
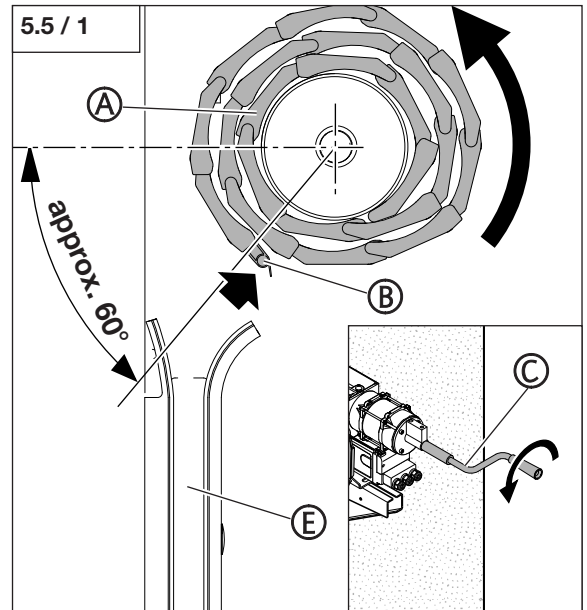
### 5.5 Inserting the door curtain



#### Caution!

To prevent the door curtain (A) from becoming difficult to handle, the door end profile (B) must be moved into the position shown before the stopper is opened.

- Bring the door curtain (A) with the emergency control (C) into the position shown.



- Remove the stopper from the door curtain (A).
- Insert the door curtain (A) with the emergency operation (C) into the guide rails (E).
- Move the door curtain (A) into the interim position (halfway up the guide rail height).

## 5. Installation



### Function check:

The door curtain (A) must slot into both guide rails (E) vertically when the door is halfway open. Shift the bearing (G) and the drive (H) onto the console (I); this will allow you to set up the inlet.

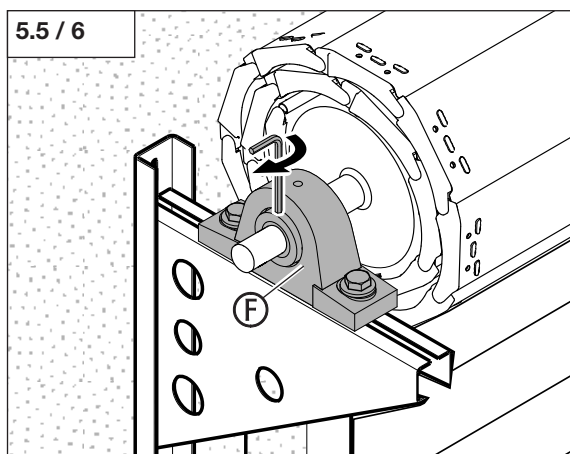
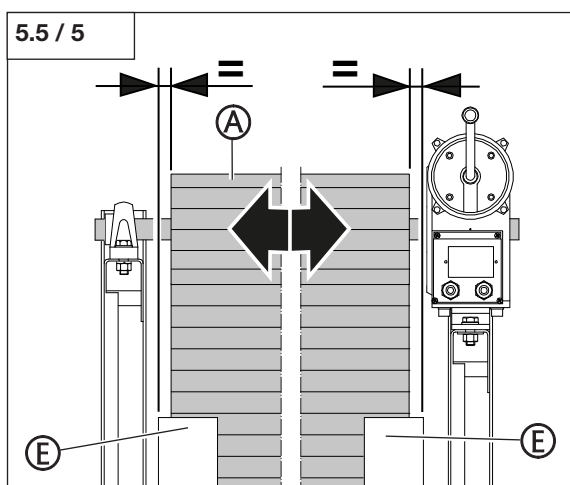
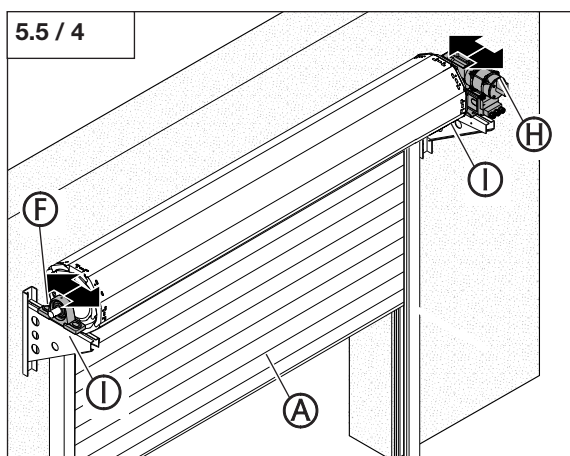
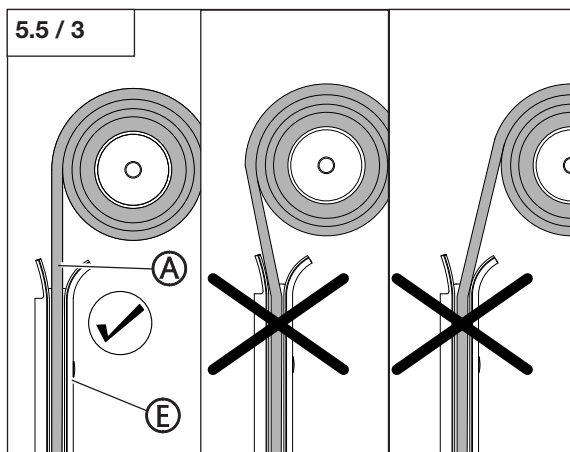
### Note:

The door curtain (A) must not grind against the intake guide of the guide rails (E). You can bend the intake guides to prevent them from grinding against the door curtain.

- Check the inlet and set up (if necessary) the bearing (F) and the drive (H) on the consoles (I) in the correct manner.

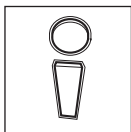
- Position the door curtain (A) between the guide rails (E).

- Tighten the screws on the bearing (F).



## 5. Installation

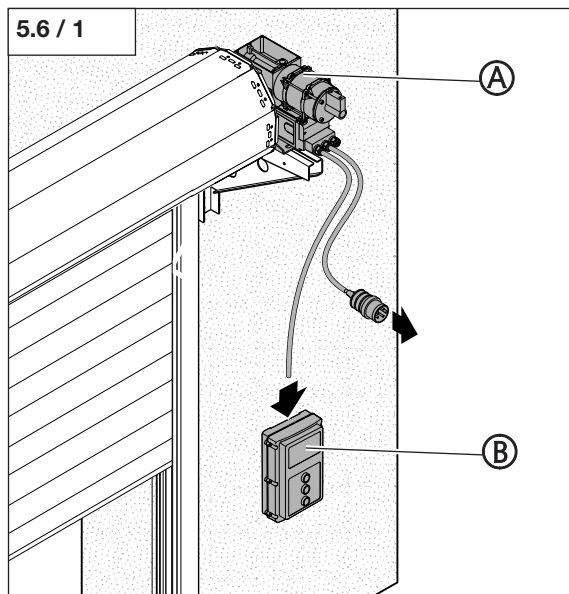
### 5.6 Connecting the drive



#### Reference:

See the drive and control unit instructions for information on how to connect the drive (A) and the control unit (B).

- Connect the drive (A) to the command device/control unit (B).
- Connect all the necessary safety devices.
- Connect the drive (A) to the mains.



### 5.7 Setting up the end switch



#### Reference:

See the drive and control unit instructions for information on how to set up the end switch.

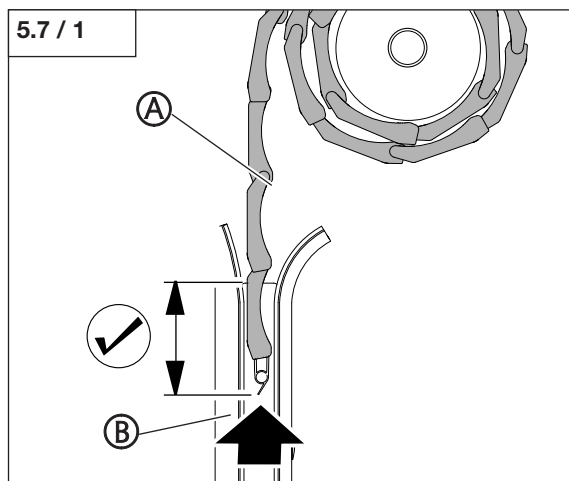


#### Note:

The end position OPEN must be set up in such a manner that the door fins (A) do not move out of the guide rails (B).

The maximum possible position of the end position OPEN is the ordering dimension for height.

- Set up the OPEN end position.

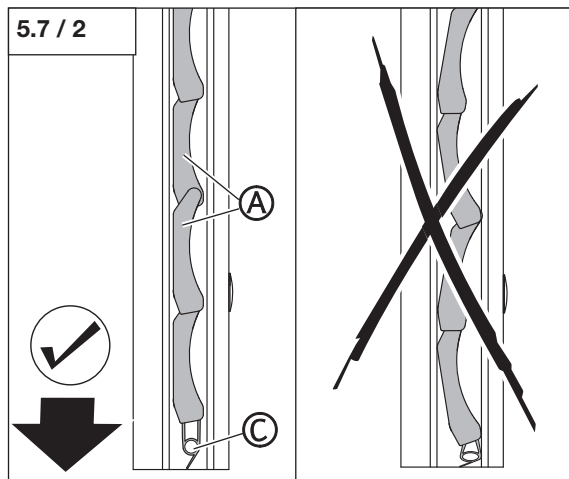


#### Note:

The end position CLOSED must be set up in such a manner that

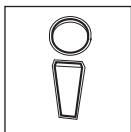
- the door fins (A) do not slide together and
- the door end profile (C) is not compressed.

- Adjust the retractable bottom seal.



## 5. Installation

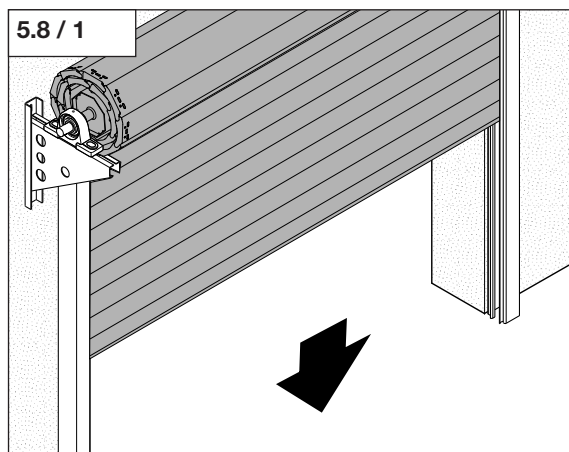
### 5.8 Installing the brush strip



#### Reference:

See the door-specific diagram for information on how to install the brush strip (A).

- Close the door.

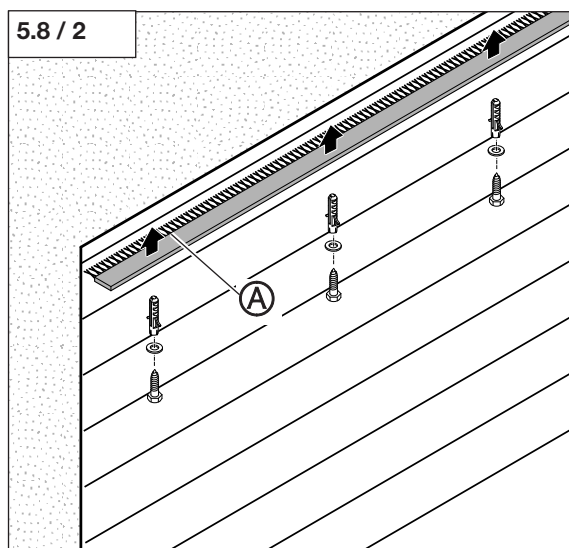


#### Note:

The brush strip (A) must be screwed in in such a manner that its entire width is contact with the door curtain.

Depending on the model, the brush strip needs to be screwed on either under the reveal or onto the carrier profile.

- Install the brush strip (A).



## 5. Installation



### 5.9 Checking the door system

**Note:**

The following points must be checked before the door is handed over to the operator.

- End position OPEN.
- End position CLOSED.
- The door curtain slides cleanly into the guide rails.
- All the safety devices connected to the door.

After successful testing, the operator must be trained to operate the door system safely.

## 6. Maintenance



### Caution!

The following points must be adhered to to prevent personal injuries or damage to the door from occurring.

- Maintenance must be performed on the door and drive system at least once every 12 months.  
Maintenance will need to be performed more frequently if the door is subjected to a high level of use.
- All faulty components must be replaced by original components.
- Maintenance must be performed by trained personnel.
- These instructions must be observed when carrying out maintenance work.
- It is critical that the warning and safety instructions be observed.
- The door maintenance is to be documented.
- See the testing book for information on the maintenance work that is to be carried out.





---

Original instructions. Protected by copyright.  
Reprinting, even in part, is only permissible with our approval.  
Subject to technical changes.

**Teckentrup GmbH & Co. KG Industriestraße 50 . D- 33415 Verl-Sürenheide**

Tel. 05246 / 504-0 . Telefax 05246 / 504-230

Postal address: Postf. 3113 . D- 33326 Gütersloh

Internet: [www.teckentrup.biz](http://www.teckentrup.biz) e-mail: [info@teckentrup.biz](mailto:info@teckentrup.biz)