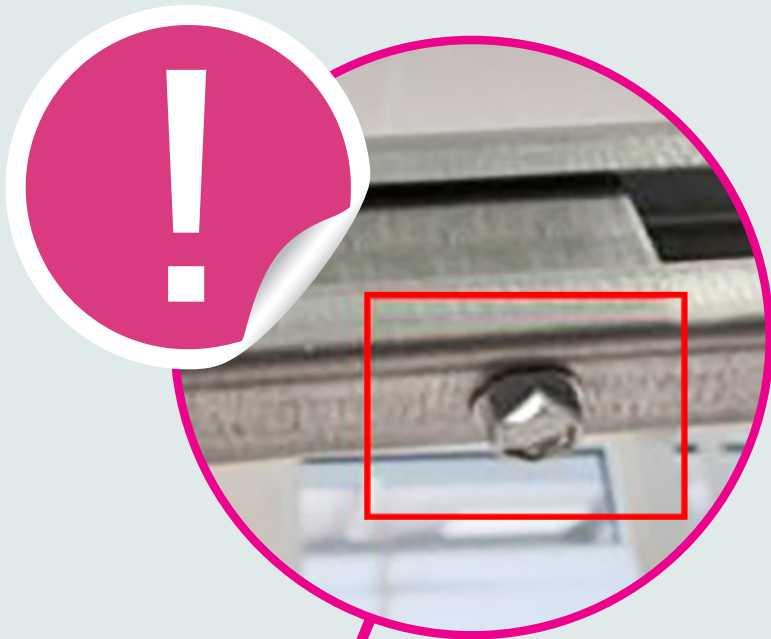


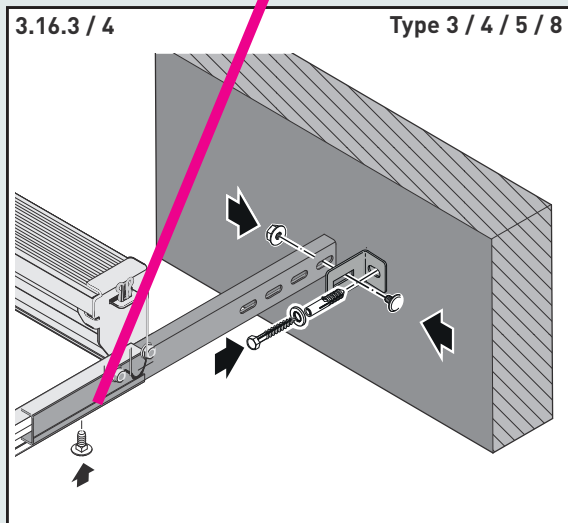
APRIL 2026



# NEW!

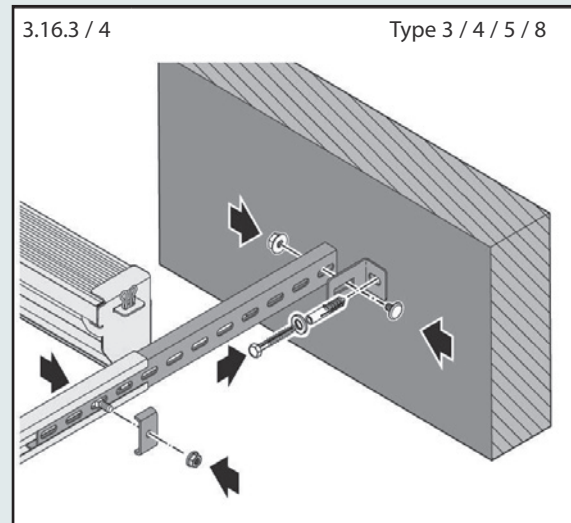
To make it easier to secure the telescopic strut when installing a sectional garage door, we're implementing a new self-tapping screw instead of the clamp bracket - It's easier and quicker! *Whilst we transition to the new strut, you may encounter both variations. Below is how to fit either iteration:*

### NEW telescopic strut instructions:



- In order to stabilise the door on the sides, it is necessary to use a wall strut.
- The distance of the holes must be as large as possible.
- ⇒ Fasten the mounting bracket to the telescopic strut.
- ⇒ Adjust the distance to the wall with the telescopic function.
- ⇒ Fasten the mounting bracket to the wall and secure the telescopic strut with a self tapping screw.

### Original telescopic strut instructions:



- In order to stabilise the door on the sides, it is necessary to use a wall strut.
- The distance of the holes must be as large as possible.
- ⇒ Fasten the mounting bracket to the telescopic strut.
- ⇒ Adjust the distance to the wall with the telescopic function.
- ⇒ Fasten the mounting bracket to the wall and secure the telescopic strut with the nut and bolt through the clamping bracket.

**QUESTION?**

**Call the team on: 01925 924 050**

Teckentrup UK Limited, Units 2-4 Opus 9 Industrial Estate,  
Woburn Road, Winwick Quay Warrington WA2 8UE  
t: 01925 924 050 f: 08701 314 843 e: sales@teckentrup.co.uk

[WWW.TECKENTRUP.CO.UK](http://WWW.TECKENTRUP.CO.UK)

**TECKENTRUP**  
DOOR SOLUTIONS