

Description

Radio command Transmitted by the Telecody after entry of a valid access code.

Access time Single digit or sequence of digits (0 ... 9) entered through the keypad.

Active time Time during which the previous transmitted radio command is sent again when any key is pressed.

Serial number sticker

Please put the adhesive serial number sticker in a secure location, such as your address book, the housing of your garage door drive, etc.

The serial number is required for the deletion of all programmed access codes, i.e. if the access codes have been forgotten.

Description of functions

The Telecody is a control device that transmits radio commands (transmitted codes) to a receiver/drive system (e.g. garage door operator), provided that the correct access code has been entered through the keypad.

As soon as a valid access code has been entered, the Telecody transmits the radio command for two seconds (LED 2 is on). Each time the key is pressed, the LED flashes 3 times in fast sequence (confirmation of key command).

Radio commands

The Telecody is pre-programmed with 12 radio commands that can be activated by pressing a single key.

Radio command	Key	Radio command	Key
1	[1]	7	[7]
2	[2]	8	[8]
3	[3]	9	[9]
4	[4]	10	[0]
5	[5]	11	[•]
6	[6]	12	[○]

Switching on Telecody

New devices are deactivated, and must be activated before they can be used.

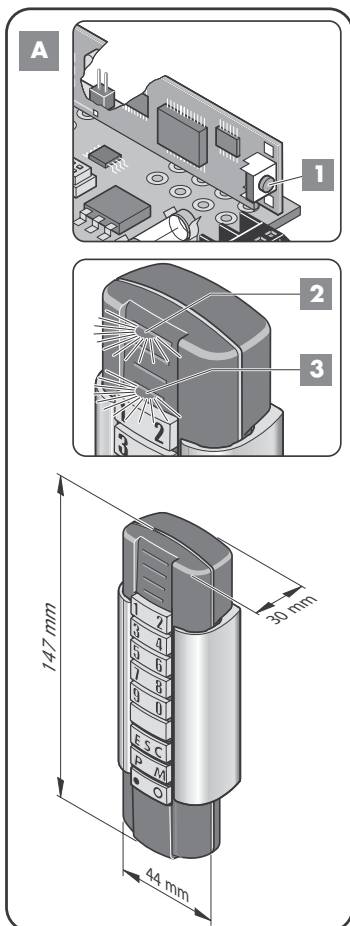
1. Press and hold [M] for 5 seconds.
- ✓ Telecody is switched on. LED 3 flashes 3x, and LEDs 2 + 3 are on for 2 seconds

Teaching Telecody

1. Press teach key (A.1) at radio receiver/drive.
2. Select desired radio command/access code: [0] ... [9], [•] or [○]

Note Keys [•] and [○] cannot be assigned an access code.

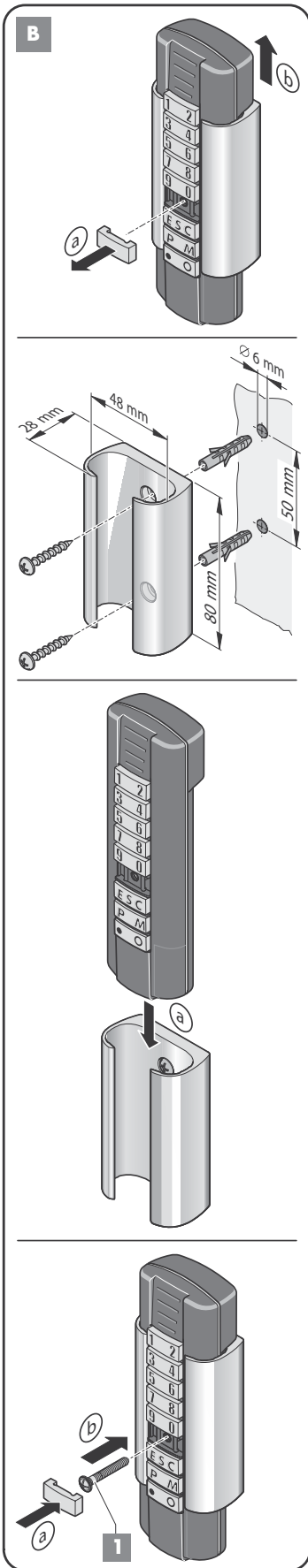
3. For security reasons, you must now assign an access code to each radio command. This prevents unauthorised people from using the Telecody to gain access to a property. See chapter "Programming access codes".
- ✓ Teaching process completed.



A. Display and key functions

1. Programming key of radio receiver: The illustration shows the duo/spring SL control.
2. LED red
 - transmission operation, continuously on
 - error/reset alert: LED 1 flashing
 - battery nearly empty: LED flashes during transmission
3. LED yellow
 - confirmation of key input - flashes once
 - reset alert, flashing
 - Telecody locked: LED flashes briefly
- LED 2 + 3
 - programming of access code, deletion of all access codes, programming access code, deleting all access codes, switching active time on/off on for 2 seconds
 - Keypad lock: LED flash alternately for 20 seconds

- [0] - [9] Numerical keys
- [ESC] Cancel/delete key
 - terminate active time
 - cancel radio code entry
 - keypad illumination off
- [P] Programming key
 - change access code
 - reset device to default settings (in combination with key [M])
- [M] Programming key
 - switch active time on/off
 - reset device to default settings (in combination with key [P]).
- [•] Dot key
 - send radio command without code entry.
 - keypad illumination on
- [○] Circle key
 - send radio command without code entry.
 - keypad illumination on



B. Installation

Note
Push the screw (1) through the key pad; the device is thereby not damaged.

- Installation height over ground: approx. 1.6 m.
- Observe alignment, see figure B.

Programming access code

For security reasons, you must now assign an access code to each radio command. This prevents unauthorised people from using the Telecody to gain access to a property. Each access code consists of two parts of maximum 8 digits.

Block 1 (digit 1) -> selected radio command
 Block 2 (digits 2 ...8) -> free sequence of digits

Example of an access code: [1] [8] [8] [8]

Programming of code for radio command 1:

1. Press [P]
2. Press [1]
3. Press [P]
4. Enter part 1 of the access code:
Press [1]
5. Enter part 2 of the access code, e.g.:
Press [8]3x (max. 7 digits).
6. Press [P]

✓ Programming is completed.
 LEDs 2 + 3 are on for 2 seconds.

7. To test the device, enter the access code:
[1] [8] [8] [8]
LED 2 is on for 1 second.

Changing access codes

Example: Access code for radio command 1.

1. Press [P]
2. Enter the old access code: [1] [8] [8] [8]
3. Press [P]
4. Enter part 1 of the access code:
Press [1]
5. Enter part 2 of the new access code, e.g.:
Press [5]3x (max. 7 digits).
6. Press [P]

✓ Programming is completed.
 LEDs 2 + 3 are on for 2 seconds.

7. To test the device, enter the access code:
[1] [5] [5] [5]
LED 2 is on for 1 second.

Resetting to factory settings

All programmed access codes are deleted and the device is reset to the factory settings. Telecody remains switched on.

1. Press [M]
2. Press [P]
3. Enter reset code (9-digit), see adhesive label:
4. Press [M]
5. Press [P]

✓ All access codes are deleted.
 LEDs 2 + 3 are on for 2 seconds.

Operation

Requirements:

- desired radio command has been taught to the receiver.
- access code programmed.

This radio command (e.g. "open garage door") can now be activated by entering the access code at the Telecody. The radio command is sent to the receiver, after the last digit of a valid access code has been entered.

✓ LED 2 on for 2 seconds.

Switching active time on/off

Default status: OFF

During the active time of 20 seconds, press any key (except [P], [M] and [ESC]). The previously entered access code is retransmitted and the active time is prolonged by 10 seconds. The active time applies to all radio commands.

Switching on/off

Press the following key sequence to switch the active time on or off.

1. Press [M]
2. Press [●]
3. Press [M]

✓ Programming is completed.
 LEDs 2 + 3 are on for 2 seconds.

Active time on?

To check whether the active time is on:

1. Enter a valid access code. The radio command is transmitted for 1 second, and LED 2 is on.
2. LED 3 flashes 20 seconds after the radio command has been sent.

Transmission delay on/off

Transmission delay on/off

Factory settings: OFF

The radio command is sent with a delay of 1 ... 9 seconds. Setting range 0 ... 9, whereby 0 corresponds to no delay (delay OFF). The transmission delay applies to all radio commands.

Switching on/off

1. Press [M]
2. Press [0]
3. Select the desired delay time: [0] ... [9]
4. Press [M]

✓ Programming is completed.
 LEDs 2 + 3 are on for 2 seconds.

Troubleshooting

If an error persists, contact your stockist or visit our website at www.sommer.eu.

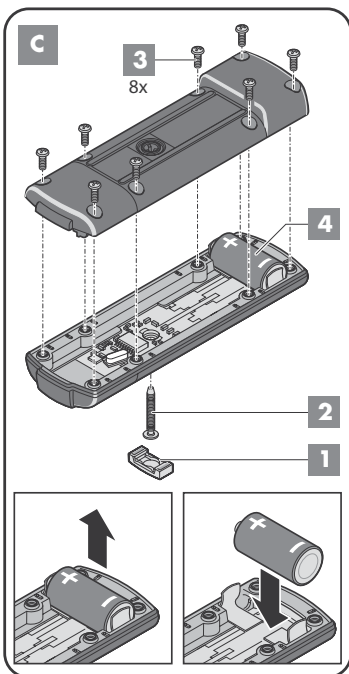
Problem	Cause
Drive not responding	Telecody not programmed. Battery empty.
No access code can be entered. LED 2 + 3 flashes rapidly for 20 seconds.	An incorrect access code has been entered 3 times, or the entry has been terminated with ESC. Keypad remains locked for 20 seconds.
LED 3 is flashing	Incorrect code entered
LED 3 is flashing: 2x - pause - 2x	Device in active time mode
LED 2 flashes while the access code is transmitted.	Battery empty
No response to entry made on keypad.	Telecody is switched off; see section "Switching on Telecody"
LED 3 is on with intermit- tently.	Transmission delay active.
No access code can be entered.	Electrostatic discharge through the operator. -> Please press ESC key.

C. Replacing batteries

Replacing batteries:

1. Remove cover (1).
2. Remove screw (2).
3. Pull Telecopy from its holder
4. Remove screw (3).
5. Open Telecopy.
6. Remove battery (4) and insert new battery (observe correct polarity!).
7. Assemble the device by completing the above steps in reverse order (items 4 ... 1).

- Keep battery away from children. If a battery has been swallowed, immediately contact a doctor.
- Do not swallow the battery or open it. The battery cannot be recharged. Keep away from water and fire. Protect the battery against high temperatures. Risk of explosion or leakage!
- Only use batteries of type CR 123 A (3 Volt).
- Store and dispose of batteries in packaging. Prevent any contact with metal objects as this could discharge or damage the battery or lead to ignition.
- Do not dispose of batteries in household waste.
- Dispose of damaged or spent batteries according to the statutory regulations. If you have any queries in this regard, contact your local environmental authority or waste disposal contractor.
- Do not remove the polarity reversal protection. This prevents damage to, or destruction of, the radio remote control device, that is caused if the battery is installed incorrectly.
- Always tighten the screws (3) in an alternating sequence (as you do when changing a tire on your car) so that the housing is closed without tension. Otherwise water can penetrate into the housing.
You should be able to insert the radio remote control device easily into the holder. If this is not the case, then the screws (3) need to be tightened.



Technical data

Radio frequency	868.8 / 434.42 MHz
Temperature range	-20 to +55 °C
Usage range	depending on environment, approx. 25 m
Safety class	IP 64
Battery	Typ: CR 123 A (3 Volt)
Dimensions	147 x 48 x 30 mm (incl. holder)
Weight	ca. 180 g (incl. battery without holder)
Radio commands	12 (10 with programmable access code, 2 without code)

Safety instructions

- Never use the radio control device at locations where it could interfere with other equipment (e.g. airports, hospitals).
- Handle control device carefully and install it properly, as impacts could cause damages or a reduced range.
- These installation and operating instructions must be read and fully understood by the persons operating or servicing the device. All instructions must be fully adhered to.
- Use only original spare parts, accessories and securing devices approved by the manufacturer.
- If the remote control device is used for the control of a unit where there is a risk to persons, the operator must at all times be able to see the unit during operation of the remote control.
- The radio remote control may only be used, if all movements of the door can be supervised by the operator and are not obstructed.
- Do not install remote control within the opening range of the door.
- Install remote control in a location that allows for an unobstructed view of the controlled unit.
- The radio remote control device should never be sprayed with water from a hose or from a high pressure cleaner. Water can penetrate the radio remote control device and damage or destroy it.