



3-part threshold fitted on a level surface...

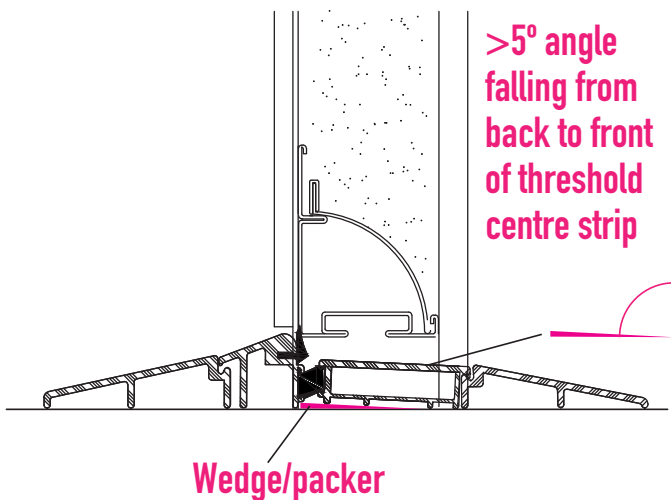
If the 3-part threshold of a CarTeck side hinged garage door is installed on a level surface, to mitigate against pooling of water and potential ingress, wedge the centre strip of the threshold slightly falling from back to the front. This should help the water run away from the door. See the diagram below for where to position the wedge.



Standard 3-Part Threshold

Inside

Outside



Need a refresher on fitting or fixing the 3-part threshold?

Watch the helpful installation videos by scanning the QR codes...

Fitting the 3 part threshold



Fixing the threshold on uneven floors



Have a question?

t: 01925 924 050 e: sales@teckentrup.co.uk

TECKENTRUP
DOOR SOLUTIONS
WWW.TECKENTRUP.CO.UK