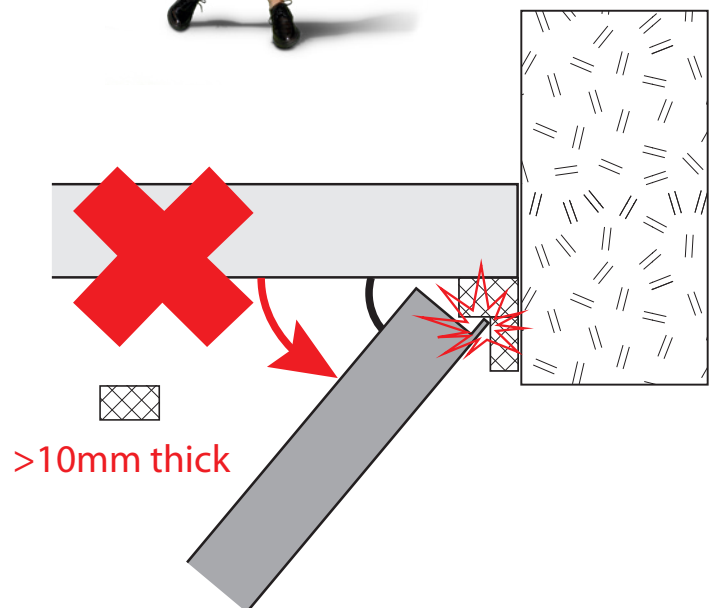
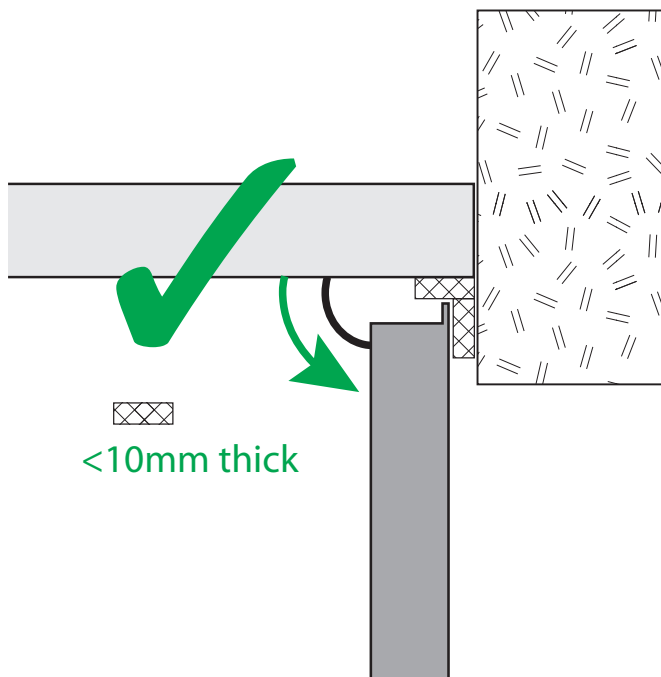


Concealed hinges make trimming up easy...

With no hinges at the edge of the frame, trimming up your opening is easy. No notching out trim or running tricky mastic beads to go around surface mounted hinges.

Trim is an effective way of blending a garage door with surrounding finishes. If you are using trim, make sure you keep to this rule...

When trimming up at the sides of a side hinged garage door, if your trim overlaps onto the frame, ensure it is <math><10\text{mm}</math> thick. Trim thicker than 10mm will foul the arc of the door leaf preventing full opening. See the diagram below for detail.



Have a question?

t: 01925 924 050 e: sales@teckentrup.co.uk

TECKENTRUP
DOOR SOLUTIONS
WWW.TECKENTRUP.CO.UK