



Roller grille

TG-A, TG-S, TG-E, TG-V und TG-X

Text example:

Roller grille, straight honeycomb, made of plain aluminium profiles, with galvanized bottom bracket and consoles, prime coated winding shaft. Drive: Direct mount drive 400 V (three-phase voltage), IP54, emergency hand crank and integrated anti-drop device, TÜV tested, maintenance-free. Control: in the basic version, control voltage 24 V (safety low voltage), degree of protection IP65, 60% ED, "close door" in deadman mode (permanent pressure) with pushbuttons "open-stop-close", fully wired ready for use and with CEE plug. Installation: Behind the opening, on concrete, all fastening elements - suitable for the structure material - are supplied.

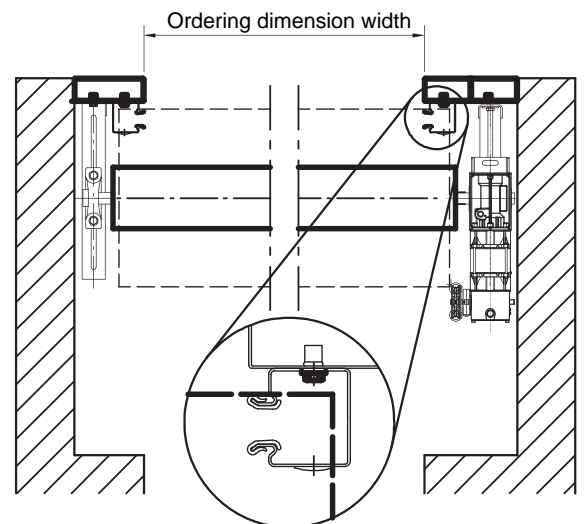
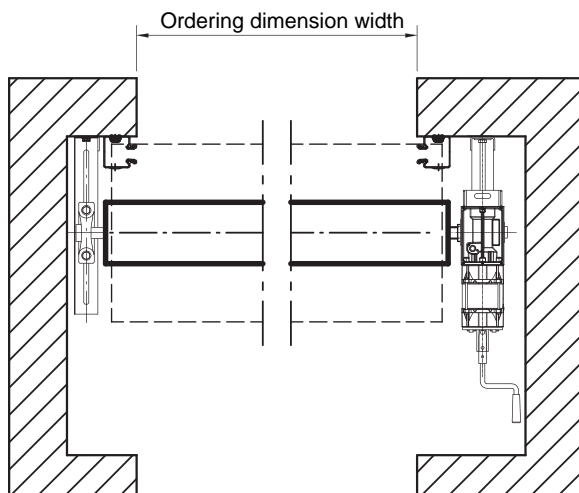
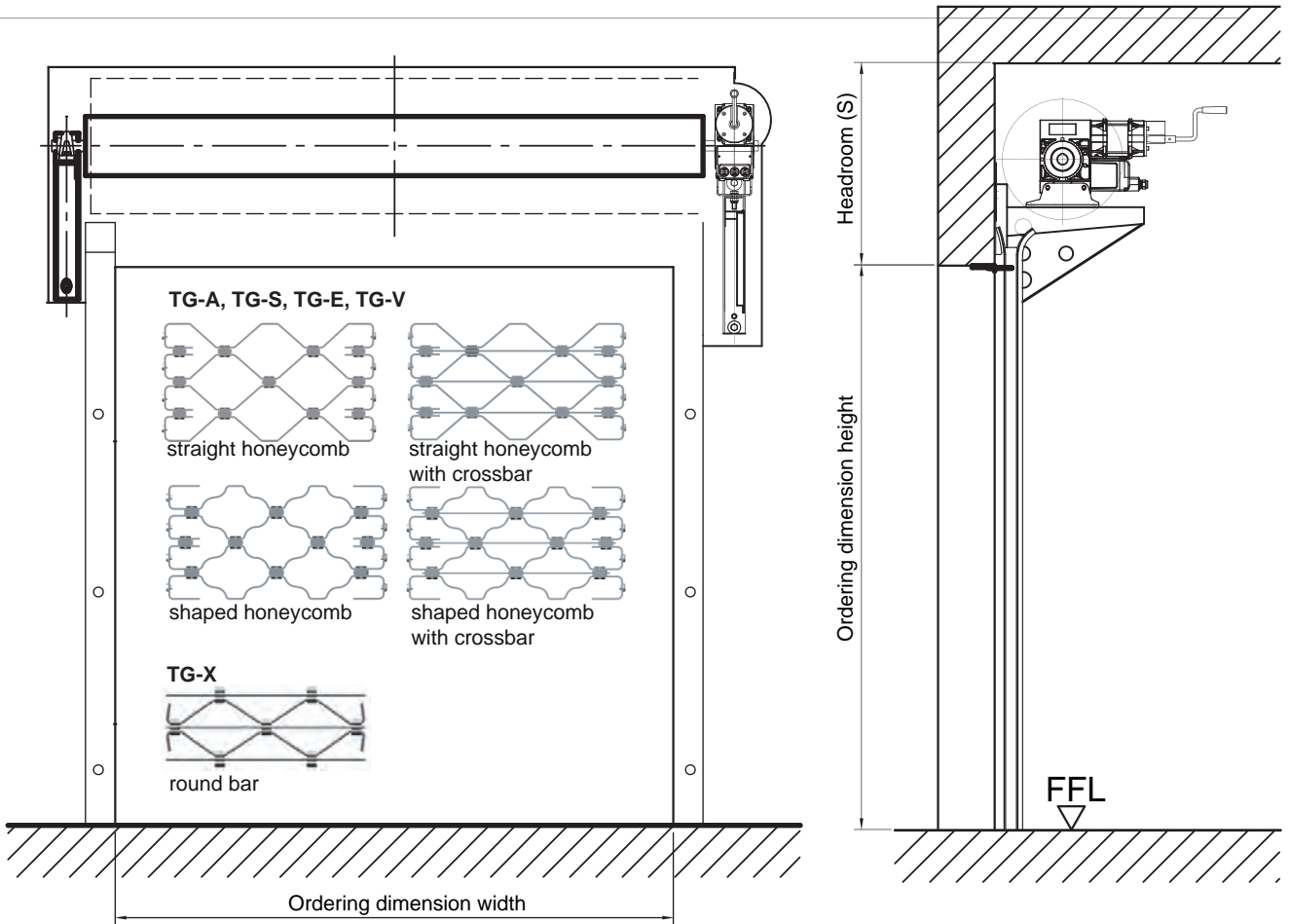
(Compile and tender according to requirements. Please refer to technical data below for respective details. Updated 1. July 2017.)
entnehmen. Stand 01.06.2017)

Technical Data

Product	Roller grille (profiles made of galvanized steel, stainless steel or aluminium)	Drive	Direct mount drive with integrated anti-drop device or chain drive with separate anti-drop device and electric forced disconnection, (three-phase voltage) 400 V, 50 Hz, degree of protection IP 54, 60% ED (power-on time), with emergency crank handle, TÜV tested and maintenance-free. Other special voltages, degrees of protection or types of emergency operation available on request.
Installation in	Walls made of <ul style="list-style-type: none"> ▪ masonry min. 120 mm ▪ concrete min. 150 mm ▪ steel ▪ autoclaved aerated concrete min. 200 mm only with steel frame ▪ wood min. 240 mm 	Control	For direct mount and chain drives, fully wired, with CEE plug. The basic version can be locked and used as a deadman control, easily retrofittable with: <ul style="list-style-type: none"> ▪ Self-locking "CLOSE" in connection with a safety edge mechanism ▪ radio control ▪ Finger pinch protection Accessories for controls: <ul style="list-style-type: none"> ▪ Automatic closing (with traffic light) ▪ Traffic light control/Two-way traffic ▪ Digital induction loop Without safety edge mechanism: Basic version, control voltage 24 V (safety low voltage), degree of protection IP 65, "close door" and "open door" in deadman mode (permanent pressure) with push buttons "open-stop-close". LCD monitor required for programming!
Dimensions	Ordering dimensions width: 1000 - 12000 mm height: 1000 - 8000 mm larger doors on request (up to 18000 mm).		With safety edge mechanism: With self-monitoring, safety edge mechanism, control voltage 24 V (safety low voltage), degree of protection IP 65, "close door" and "open door" in self-locking mode. Secured on both sides with photocells in acc. with safety category II in the header area where fingers can be trapped. Standard functions: <ul style="list-style-type: none"> ▪ Automatic closing (with traffic light) (additional photocells in the door travel area are recommended). ▪ Traffic light control (two-way traffic/one-way traffic).
Door curtain	Door curtain, consisting of hinge-like interconnected galvanized steel or aluminium honeycomb profiles.		
Profiles	<ul style="list-style-type: none"> ▪ Made of flat material, straight or shaped honeycomb. Axial slides made of wear-proof plastic (TG-A, TG-S, TG-E, und TG-V) ▪ Made of flat-round material. Straight honeycomb with crossbar (TG-X) 		
Surface	<ul style="list-style-type: none"> ▪ Galvanized steel ▪ Plain aluminium ▪ Plain aluminium, reinforced with stainless steel connectors ▪ Plain stainless steel (V2A) 		
Glazing	synthetic glazing, crystal clear approx. 150 mm x 55 mm.		
Bottom seal	Galvanized steel bracket for steel and aluminium version stainless steel bracket for stainless steel version. Extruded bottom seal made of aluminium for TG-X.		
Guide rails	Robust steel profiles with wear-proof, easy-to-change plastic guides.		
Winding shaft	Prime coated steel tube with welded-in shafts on both sides for drive, anti-drop or bearing seat.		
Consoles	Made of galvanized steel. If desired, with sound insulation measures in accordance with DIN 4109		
Locking	as standard with automatic anti-lifting device if desired: All locks connected to the door control unit via safety switches. <ul style="list-style-type: none"> ▪ Bottom profile lockable from inside via two locking rods, with profile cylinder ▪ Bottom profile lockable from inside and outside via two locking rods, with profile cylinder 	Special equipment	Permanent side part with integrated door. equipment:pivoted side part with integrated door. Roller box made of: <ul style="list-style-type: none"> ▪ Galvanized steel plate ▪ Natural aluminium ▪ Other versions on request Sloping steel bracket, aligned to the floor, side or roof installation.



Roller grille TG-A, TG-S, TG-E, TG-V und TG-X



Further documents:

The exact dimensions for the lateral buffers and the header buffer can be found in our Installation data for roller shutters and roller grilles. It contains individually dimensioned assembly drawings for each shutter.

Please contact us for exceptional types of handing.