

Roller grille TG-X „easy“

Plain aluminium round bar with crossbar



Text example

Compile and tender according to requirements.
Please refer to technical data below for respective details.
Updated 1st June 2015

position	No. of pieces	item	unit price €	total price €
		Roller grille, made of aluminium profiles, galvanized consoles, with galvanized winding shaft.		
		Make: Teckentrup or equivalent. Roller grille TG-X „easy“, aluminium. Drive: Direct mount drive 400 V three-phase voltage, IP54, 40% ED (power-on time), handcrank adapter, integrated anti-drop device, TÜV tested, maintenance-free. Control unit: AS 100 integrated in the drive, control voltage 24 V safety low voltage, degree of protection IP54, deadman control (permanent pressure), with push buttons "open-stop-close", fully wired ready for use and with CEE plug. Installation: Behind the opening, on concrete, all fastening elements (suitable for installation on steel) incl. Ordering sizes: Ordering dimensions: ___mm wide x ___mm high. Ordering details: Wall an header thickness (concrete ___mm / masonry ___mm), headroom ___mm, sideroom right-hand ___mm, left-hand ___mm.		

Technical data

Product: Roller grille TG-X „easy“
(profiles made of plain aluminium)

Installation in: walls made of:

- masonry mind. 120 mm
- concrete mind. 150 mm
- steel
- autoclaved aerate concrete (only with steel frame) mind. 200 mm
- wood mind. 240 mm

Dimensions: Ordering dimensions
Width: 1000 – 5000 mm
Height: 1000 – 5000 mm

Door curtain: Door curtain, consisting of hinge-like interconnected aluminium profiles

Profiles: • made of flat-round material, straight honeycomb

Surface: • plain aluminium

Bottom seal retainer: With permanently elastic and frost-proof profile hose seal made of EPDM for correct door sealing

Guide rails: Robust steel profiles with wear-proof, easy-to-change plastic guides.

Winding shaft: Galvanized octagonal tube with bolt connected shafts at each end for the drive or bearing seat

Consoles: Made of galvanized steel

Drive: Direct mount drive with integrated anti-drop device, three-phase voltage 400 V, 50 Hz, IP 54, 40 % ED, with handcrank adapter (emergency handcrank = special equipment). TÜV tested and maintenance free.

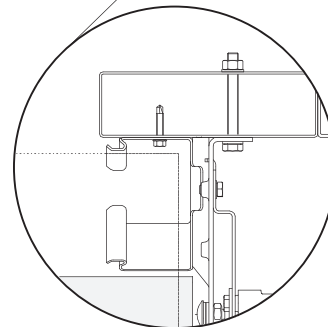
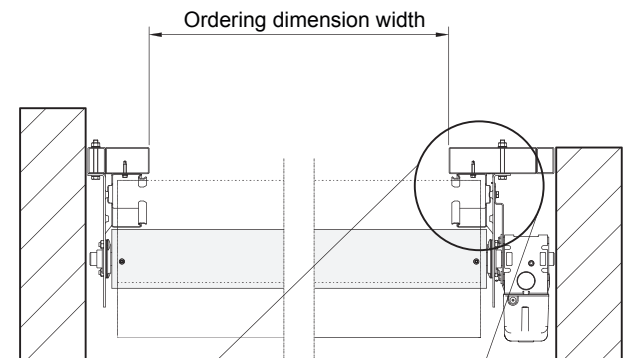
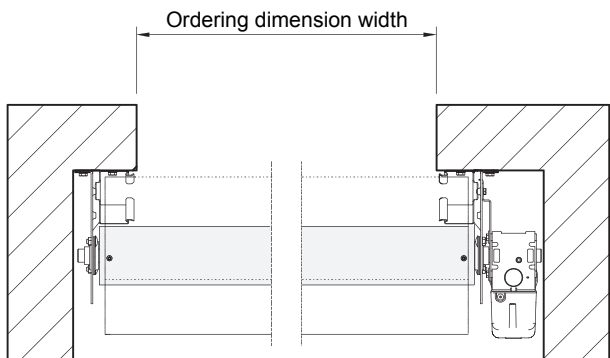
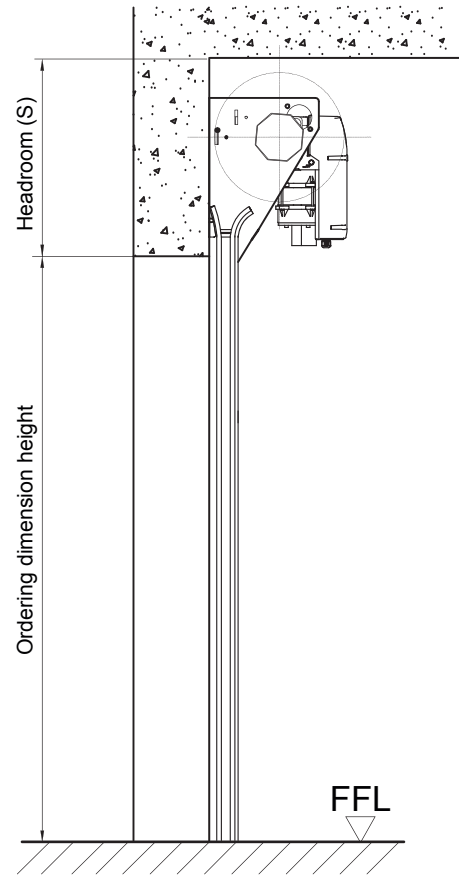
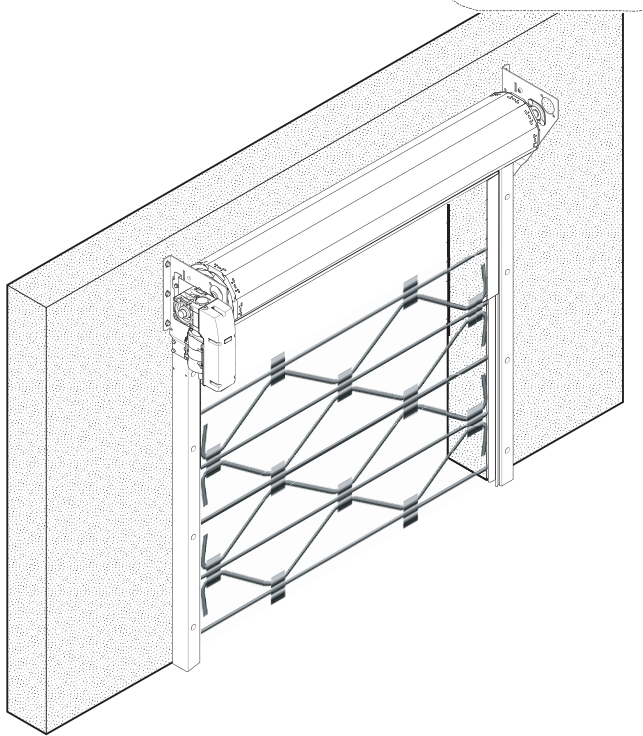
Control unit: Fully wired and ready for use, with CEE plug.

Special equipment: Curtain box made of:

- galvanized steel
- natural aluminium

Roller grille TG-X „easy“

Plain aluminium round bar with crossbar



Further documents:

The exact dimensions for the lateral buffers and the header buffer can be found in our Installation data for roller shutt grilles.
assembly drawings for each shutter.
Please contact us for exceptional handing.