

# TECHNICAL CARTECK GARAGE DOORS



# INSTALLATION

## Fewer means faster

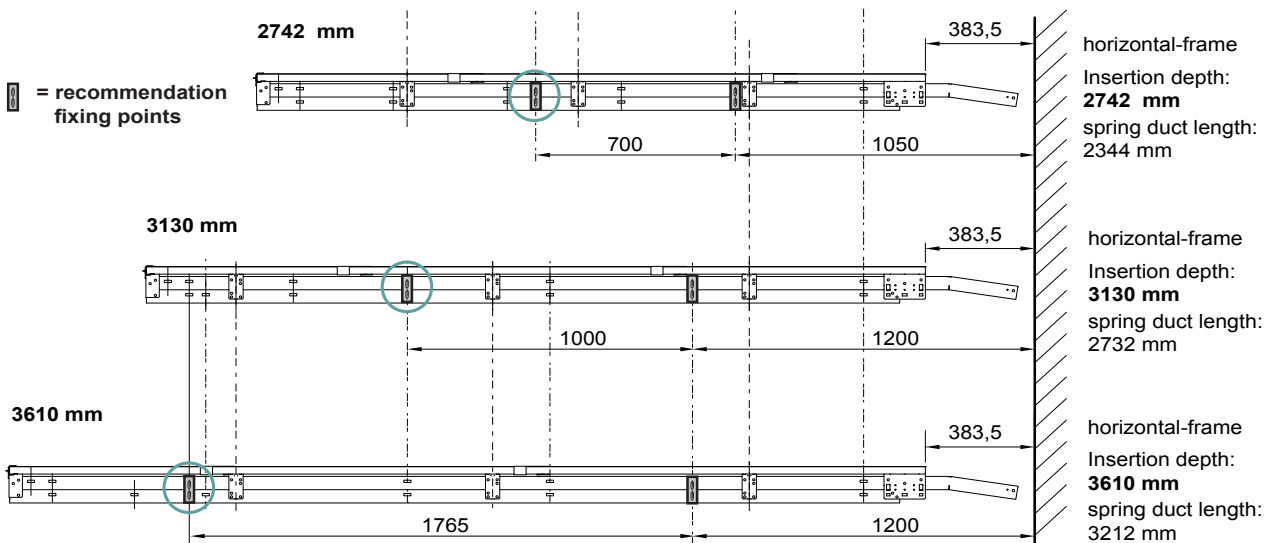
CarTeck is quick - there's less to assemble and fewer fittings and fixings required to secure the frame and tracks. Clearances are small so tight spaces are easily handled.

## Fewer hangers

**Only one hanger** is needed if you're using the rear spacer bar side extension fixing, two if not, and no need for a hanger at the curve.

## Recommended horizontal track fixing points

If the rear spacer bar extending side fixings are securely fixed, the second fixing point, shown within  is not required.



**Need shorter horizontal tracks?** There is some scope for cutting down the horizontal tracks - contact the Sales office for advice.

## 240mm headroom kit

Great for getting over gas meter or when a pass door comes into the garage - and it's free of charge.

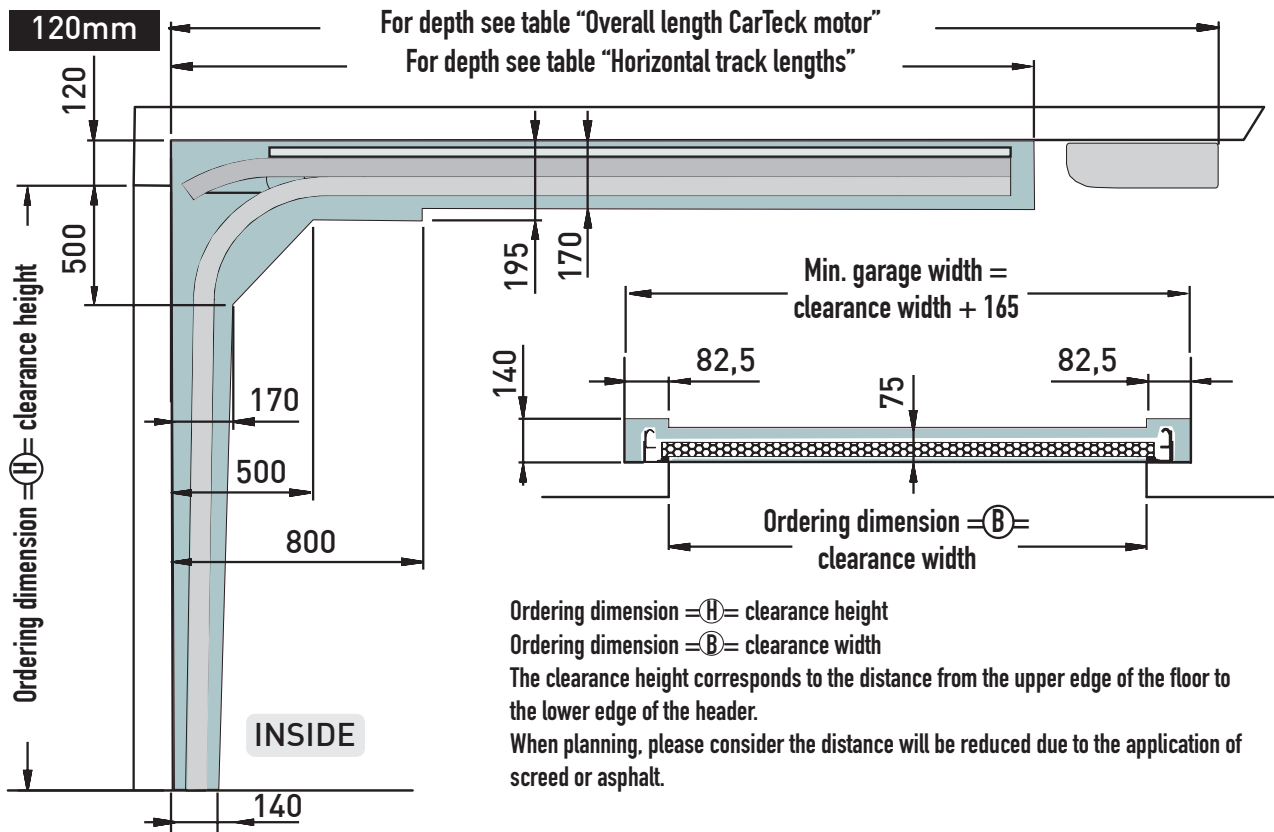


## Low headroom as standard

120mm is standard on all but the largest doors that require 140mm (a double set of extension springs) - see the table below the drawing for the transition points.

## Installation Data Sectional Doors: Ordering Sizes = Drive Through Sizes

Please observe the following measurement details to guarantee exact assembly and precise, reliable operation of CarTeck sectional garage doors.



- Allow 115mm headroom. Use standard lifting gear.
- Allow 140mm headroom above trays only.  
Gear uses twin springing & commercial roller spindles

### Horizontal Track Lengths

		Width																			
Height	2084	2134	2235	2286	2388	2438	2591	2743	3048	3353	3658	3962	4216	4267	4420	4572	4877	5182	5500	Height	
3000																					3000
2875																					2875
2750																					2750
2625																					2625
2500																					2500
2375																					2375
2250																					2250
2204																					2204
2175																					2175
2125																					2125
2084																					2084
2050																					2050
2000																					2000
1925																					1925
1875																					1875
Height	2084	2134	2235	2286	2388	2438	2591	2743	3048	3353	3658	3962	4216	4267	4420	4572	4877	5182	5500	Height	

Width

# FRAMES

## Solutions for every installation

We know CarTeck is the best solution for installers - every scenario and opening has a solution - here they are explained in detail.

## Two frame types

### Between Fix Frame (without back fixing holes)

Use this frame for between the reveal fix, up to a maximum size of 5500mm (18'0") wide and 2250mm (7'4") high.



### Standard Frame (with back fixing holes)

Use this frame for "back fix", "part-within fix" (show up to 48mm of frame leg within the opening) and "between the reveal fix" in conjunction with 3D profile covers.



## Frame holes & fixing brackets

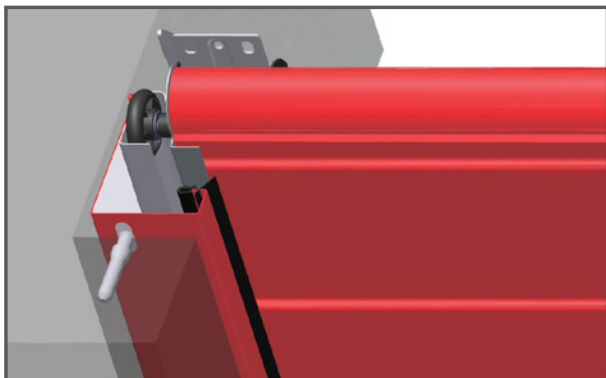
Height	Width															Height						
	2084	2134	2235	2286	2388	2438	2591	2743	3048	3353	3658	3962	4216	4267	4420		4572	4877	5182	5500		
3000																					3000	
2875																						2875
2750				Requires frame leg holes (standard frame) and																2750		
2625				twist fix frame leg brackets.																2625		
2500																						2500
2375																						2375
2250	Twist fix frame leg brackets not required.									Twist fix frame leg brackets required.												2250
2204	Twist fix frame leg brackets not required.									Twist fix frame leg brackets required.												2204
2175	Twist fix frame leg brackets not required.									Twist fix frame leg brackets required.												2175
2125	Twist fix frame leg brackets not required.									Twist fix frame leg brackets required.												2125
2084	No holes in frame leg as an option (between fix frame with stiffener brackets required).									No holes in frame leg as an option (between fix frame with stiffener brackets required).												2084
2050	No holes in frame leg as an option (between fix frame with stiffener brackets required).									No holes in frame leg as an option (between fix frame with stiffener brackets required).												2050
2000	No holes in frame leg as an option (between fix frame with stiffener brackets required).									No holes in frame leg as an option (between fix frame with stiffener brackets required).												2000
1925	No holes in frame leg as an option (between fix frame with stiffener brackets required).									No holes in frame leg as an option (between fix frame with stiffener brackets required).												1925
1875	No holes in frame leg as an option (between fix frame with stiffener brackets required).									No holes in frame leg as an option (between fix frame with stiffener brackets required).												1875
Height	Width															Height						

## The perfect “back-fix” solution

### Colour matched frame legs and header

All our frame legs and header are white as standard but are available colour matched as an option, ideal if the frame legs and header will be visible in the opening.

Wood Design doors are also available with the option of frame legs and header in a matching painted wood effect finish for Night Oak, Golden Oak & Rosewood.



# BACK FIX

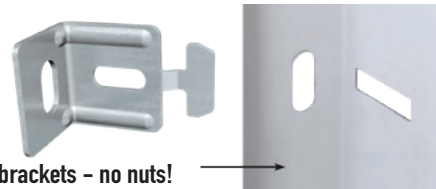
## Fast

### Twist fix frame leg retaining brackets

Doors up to 2743mm (9'0”) wide and 2250mm (7'4”) high and under 70kg require no frame leg retaining brackets - fix straight through - see the table on the left hand page.

Doors over this size have retaining brackets that add extra stiffness. They just twist to fit and can be used inboard or outboard of the frame, saving up to 12 nut and bolt fitting and tightening time!

Don't forget **Only one hanger** is needed if you're using the rear spacer bar side extension fixing, two if not, and no need for a hanger at the curve in any configuration.



Twist fix brackets - no nuts!

## Fixing kits for door sizes

Height	Width																Height					
	2084	2134	2235	2286	2388	2438	2591	2743	3048	3353	3658	3962	4216	4267	4420	4572		4877	5182	5500		
3000																					3000	
2875																						2875
2750																						2750
2625																						2625
2500																						2500
2375																						2375
2250																						2250
2204																						2204
2175																						2175
2125																						2125
2084																						2084
2050																						2050
2000																						2000
1925																						1925
1875																						1875

All doors (back fix and between fix) will include one of the following fixing kits:

### Back fix kit 1

4 x horizontal track hangers  
2 x spacer bar side mounting rails

### Back fix Kit 2

4 x horizontal track hangers  
2 x spacer bar side mounting rails  
10 x Twist fix retaining brackets (vertical tracks)

### Back fix kit 3

6 x horizontal track hangers  
2 x rear mounting rails  
12 x Twist fix retaining brackets (vertical tracks)

# BETWEEN FIX

## The perfect “between fix” solution

## Two options

### Between, behind and between - no problem

**CarTeck’s 120mm header** is ideal for installation between as it completely fills the head space and can also be used in conjunction with 3D covers.

### Option 1 - Between Fix Frame (No Holes)

Use our between fix frame with no holes, up to a Maximum door size 5500mm wide x 2250mm high.

**Doors will be supplied with a back fix kit, 4 frame leg stiffener brackets and pre-fitted lintel fixing brackets.**

Fix through the frame legs and header or use the twist fix header kit and between fix kit.



**Pre-fitted Lintel fixing brackets - IMPORTANT!** These must be used to secure the top of the frame leg, preventing lateral movement.



**Stiffener brackets** ensure the frame legs are prevented from twisting.

### Option 2 - Standard Frame & 3D Profiles

Use our standard frame in conjunction with 3D profiles.

**Doors will be supplied with a back fix kit.**

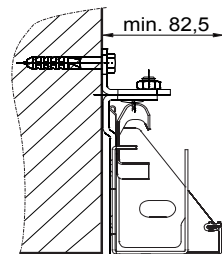
Fix through the frame legs and header or use the twist fix header kit and between fix kit.

### Optional extra accessories to make between fix easy:

**Twist fix header kit** a pair of brackets that facilitate a solid fix for the header by providing a fixing point for “L” shaped brackets.



**Between fix kit** 10 brackets that allow a fixing to be made behind the frame leg.



Between fix bracket shown from both sides on a no-hole frame leg.



# 3D PROFILE KITS...

## 3D profile kits

If you are fitting between the reveal and not using the between fix no hole frame, the fixing holes in the frame legs (used for back fixing) will be exposed.

The colour matched 3D profiles are in kits for on-site cutting to the required length.

### The kits:

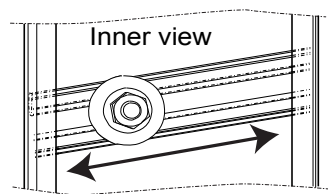
<b>85mm frame leg kit</b>	2no. 85mm x 12mm x 3000mm
<b>85/120mm 3D profile kit</b>	2no. 85mm x 12mm x 3000mm 1no. 120mm x 12mm x 3000mm
<b>120mm 3D profile kit</b>	3no. 120mm x 12mm x 3000mm
<b>70mm angle 3D kit</b>	3no. 70mm x 12mm x 3000mm

**IMPORTANT!** 3D frame legs include two lintel fixing brackets that must be used to secure the top of the frame leg, preventing lateral movement.

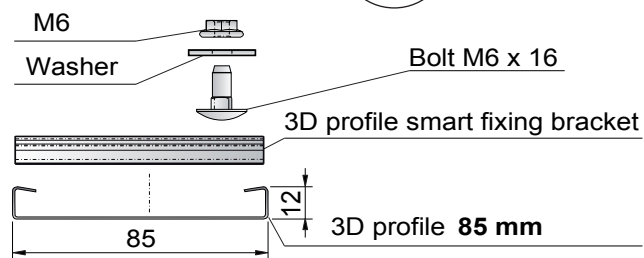


The 3D profiles have a smart fixing that allows for lateral movement - perfect for bridging small fitting gaps or tidying up the front face of the opening.

Shown here on the 85mm 3D profile.



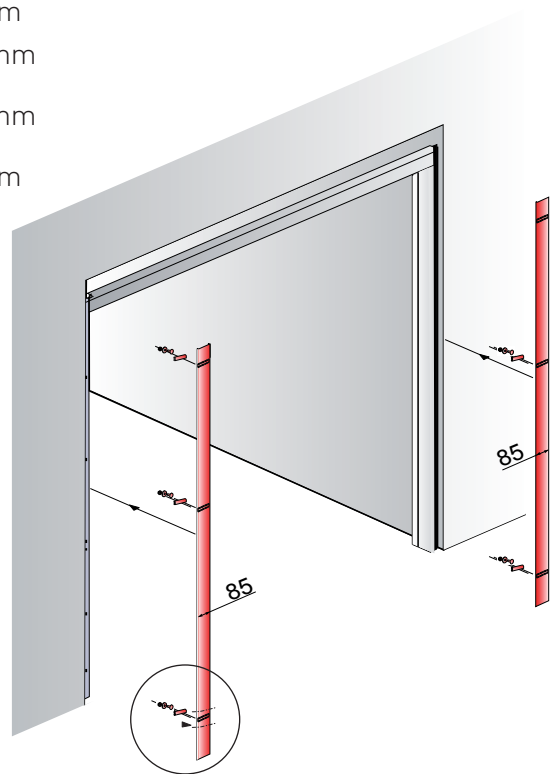
3D profile smart fixing bracket  
85 mm



Double doors will require 2 header pieces and a butted joint at the header.

Rosewood and Night Oak Wood Design doors are supplied with 3D profiles in a complementary matching painted wood effect finish.

Golden Oak is supplied in a complementary flat colour (RAL8014)



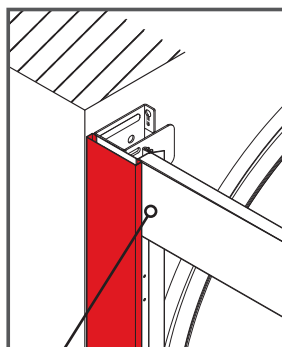
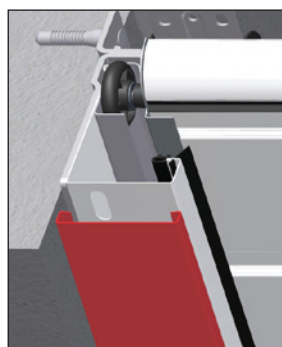
# 3D PROFILE KITS

## 85mm frame leg 3D profile kit

85mm frame leg 3D cover profiles for between the reveal fit with lateral movement for up to 30mm gap coverage or up to 30mm overlap.

## 85mm/120mm 3D profile kit

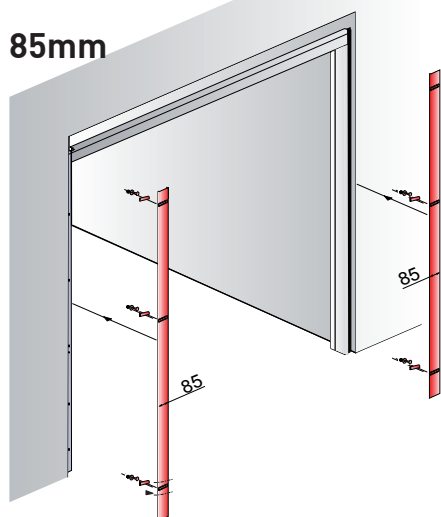
Also available in a kit with a 120mm header 3D cover profile.



**Note:** The frame leg 3D kit profiles are 12mm deep and will create a step at the header.

Use an 85/120 3D profile kit for a flush finish.

85mm



85mm/120mm

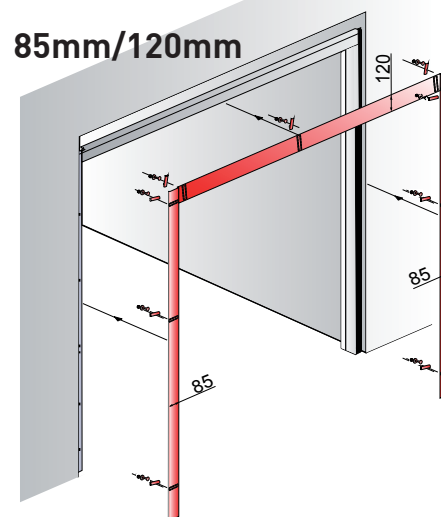


Image 1

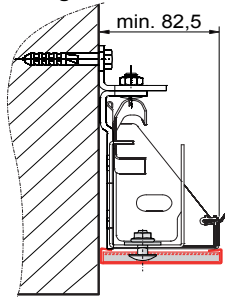


Image 2

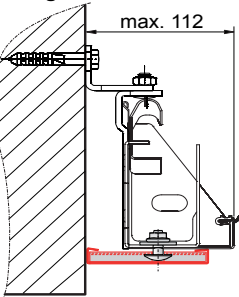


Image 3

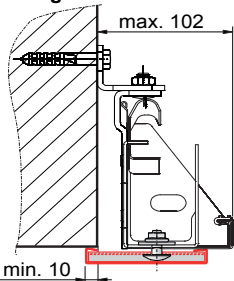
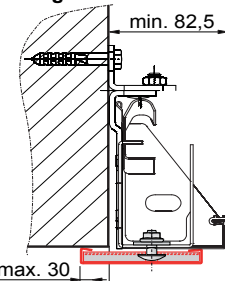


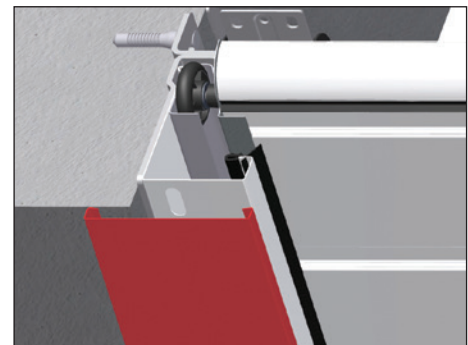
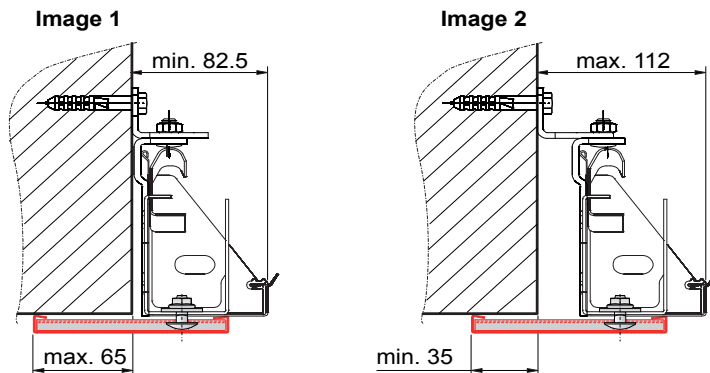
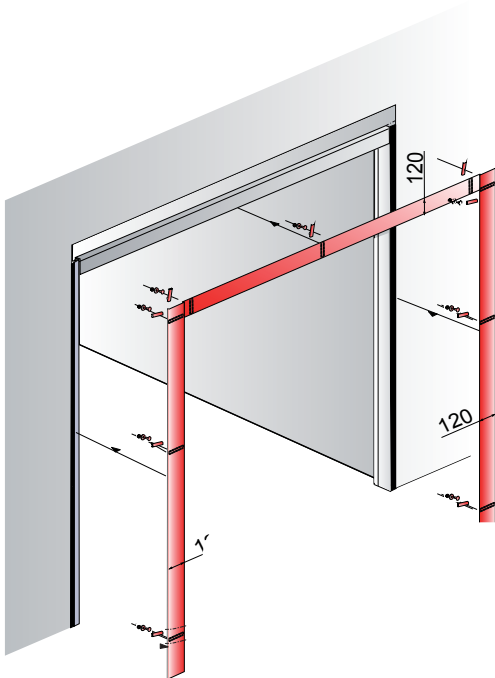
Image 4



**N.B.!** 3D profile kits must be used in conjunction with colour matched frames.

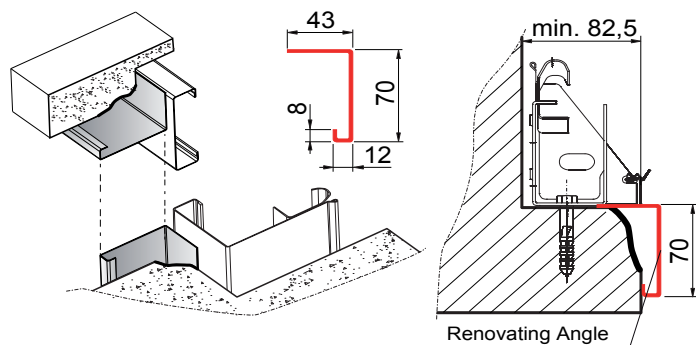
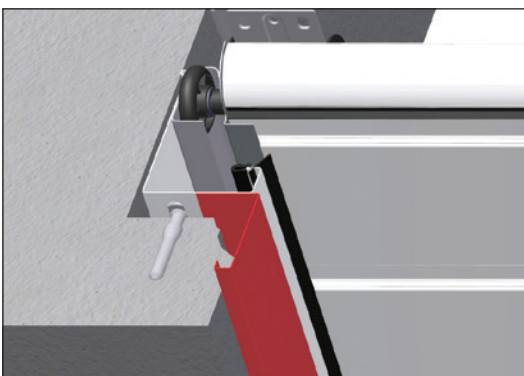
## 120mm 3D profile kit

120mm 3D cover profiles for between the reveal fit at the front edge with lateral movement for up to 65mm overlap.



## 70mm angle 3D renovating profile

The 70mm angle 3D renovating profile is held between the frame and the brickwork and will cover the back corner of the opening to tidy up any damaged wall edges. Ideal when removing timber frame and brick work deteriorated. Supplied in 3000mm lengths for on-site cutting to the required length.



**N.B.!** 3D profile kits must be used in conjunction with colour matched frames.

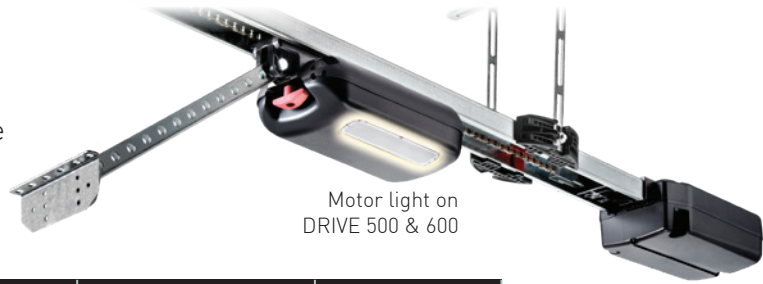
# 120MM KIT & 70MM KIT

**TECKENTRUP**  
DOOR SOLUTIONS

# CarTeck DRIVE<sup>®</sup>

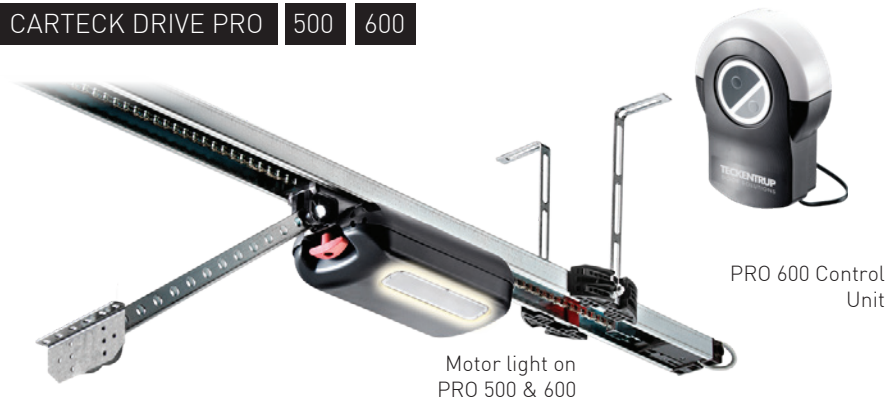
CARTECK DRIVE 500 600

The Carteck DRIVE is an integrated unit – boom, travelling motor and control in one unit for mounting above the door – it's the "classic" choice.



	POWER	TRANSMITTERS	SPEED	LIGHTING	OPTIONS
DRIVE 500	500Nm	2 x Pearl Twin	180mm/sec ➡➡➡	1 x 3 LED Motor Light	Selected option packs
DRIVE 600	600Nm	2 x Pearl	240mm/sec ➡➡➡➡➡	1 x 6 LED Motor Light	All option packs

CARTECK DRIVE PRO 500 600



DRIVE PRO 500 or 600 low level front mounted control

Carteck DRIVE PRO has a separate control unit that can be mounted by an existing power outlet or at a convenient position in the garage, perhaps by a side access door so the homeowner can open or close their door using the push buttons on the front of the control unit as they leave or enter their garage – it's the "flexible choice".



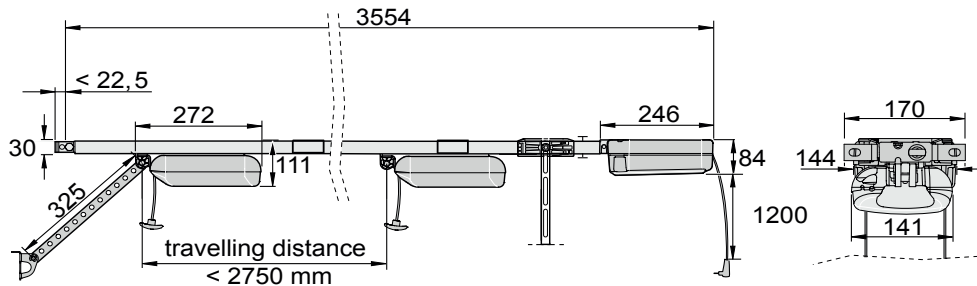
DRIVE PRO 500 or 600 ceiling mounted control



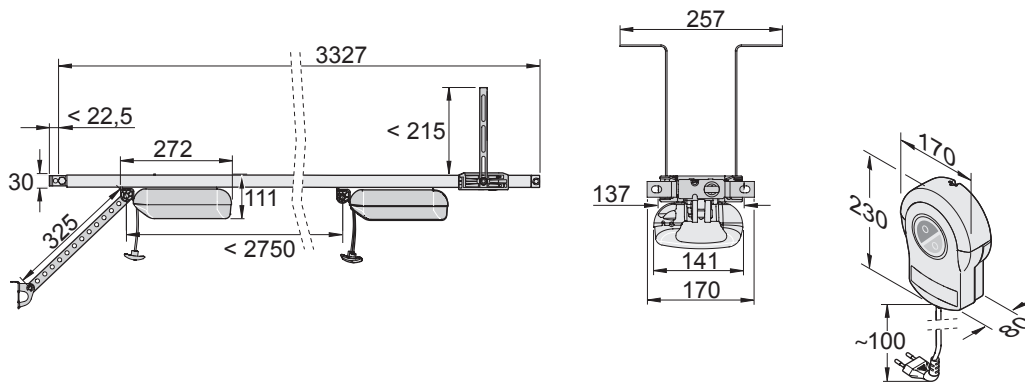
DRIVE PRO 500 or 600 low level rear mounted control

	POWER	TRANSMITTERS	SPEED	LIGHTING	OPTIONS
DRIVE PRO 500	500Nm	2 x Pearl Twin	180mm/sec ➡➡➡	1 x 3 LED Motor Light	Selected option packs
DRIVE PRO 600	600Nm	2 x Pearl	240mm/sec ➡➡➡➡➡	1 x 6 LED Motor Light	All option packs

## CarTeck DRIVE<sup>+</sup> DRIVE 500 / 600



## CarTeck DRIVE<sup>+</sup> DRIVE PRO 500 / 600



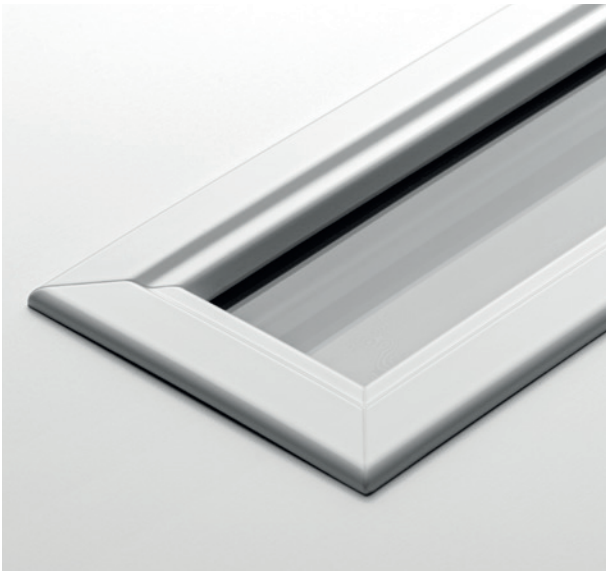
## Operator rail length for CarTeck DRIVE & DRIVE PRO

Height	Width																Height								
	2084	2134	2235	2286	2388	2438	2591	2743	3048	3353	3658	3962	4216	4267	4420	4572		4877	5182	5500					
3000																					3000				
2875																					2875				
2750	Drive 4650mm								Drive Pro 4423mm														2750		
2625	Drive 4650mm								Drive Pro 4423mm																2625
2500	Drive 4650mm								Drive Pro 4423mm																2500
2375	Drive 4650mm								Drive Pro 4423mm																2375
2250	Drive 4650mm								Drive Pro 4423mm																2250
2204	Drive 4650mm								Drive Pro 4423mm																2204
2175	Drive 4650mm								Drive Pro 4423mm																2175
2125	Drive 4650mm								Drive Pro 4423mm																2125
2084	Drive 3554mm								Drive Pro 3327mm																2084
2050	Drive 3554mm								Drive Pro 3327mm																2050
2000	Drive 3554mm								Drive Pro 3327mm																2000
1925	Drive 3554mm								Drive Pro 3327mm																1925
1875	Drive 3554mm								Drive Pro 3327mm																1875
Height	2084	2134	2235	2286	2388	2438	2591	2743	3048	3353	3658	3962	4216	4267	4420	4572	4877	5182	5500	Height					
	Width																								

**Need shorter rail?** The fixed chain design means rails are simple to cut down. Call the Sales office for advice.

### Window options

All doors can be fitted with windows as shown:



Rectangle 1



Rectangle 2\*



Multiple Mullion



Rhombus Mullion



Square 1\* (also in stainless steel)



Rectangle 3\*



Cross mullion



Aluminium light strip



Square 2\* (also in stainless steel)



Round Stainless\* (also in polycarbonate)

\*Not available on Georgian style

# WINDOW SIZES & GLAZING



Plastic double pane  
Clear




















Plastic double pane  
Frosted



Plastic double pane  
Satin

## Windows

	Style	Overall Size	Colour / Finish
	Rectangle 1	610 X 270	White
	Rectangle 1	610 X 270	Trend/Ral/Wood design*
	Rectangle 2	680 X 210	White
	Rectangle 2	680 X 210	Trend/Ral/Wood design*
	Rectangle 3	980 X 140	White
	Rectangle 3	980 X 140	Trend/Ral/Wood design*
	Square 1 & 2	270 x 270	White
	Square 1 & 2	270 x 270	Trend/Ral/Wood design*
	Square	230 x 230	Stainless Steel**
	Square	310 x 310	Stainless Steel**
	Square	280 x 280	Aluminium
	Round	Ø 385	White
	Round	Ø 385	Trend/Ral/Wood design*
	Round	Ø 242	Stainless Steel**
	Round	Ø 330	Stainless Steel**
	Aluminium Window Section	per linear m	White/Trend
	Aluminium Window Section	per linear m	Ral/Wood design*

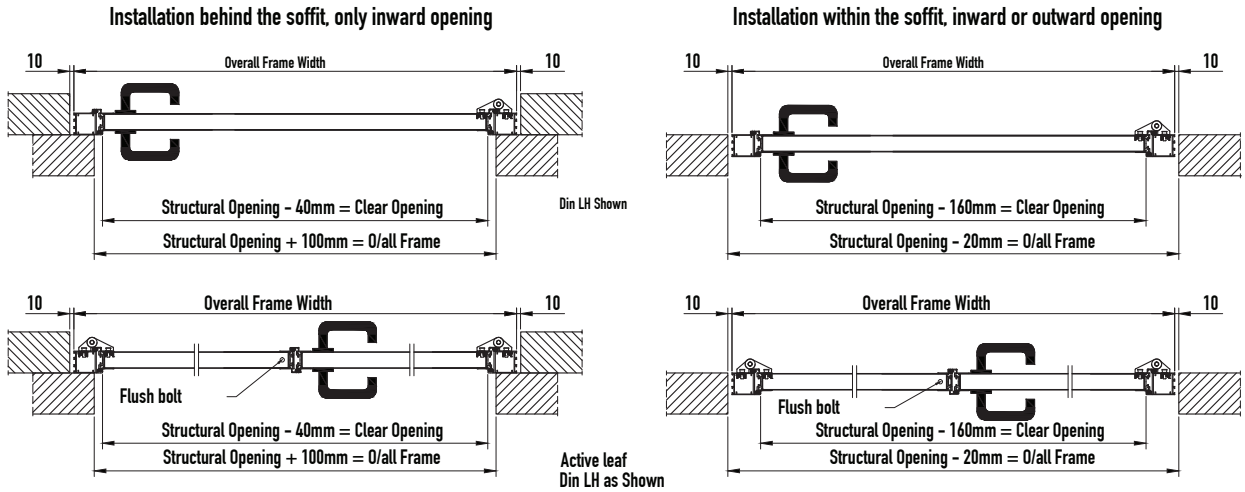
\* Painted Wood Design windows are finished in a complementary flat colour for Golden Oak (RAL8003), Rosewood (RAL8016), Night Oak (RAL8014).

\*\*For how to care for stainless steel see: [www.teckentrupdepot.co.uk/sectional-garage-doors/faqs/#stainless\\_care](http://www.teckentrupdepot.co.uk/sectional-garage-doors/faqs/#stainless_care)

# CARTECK

## SIDE HINGED

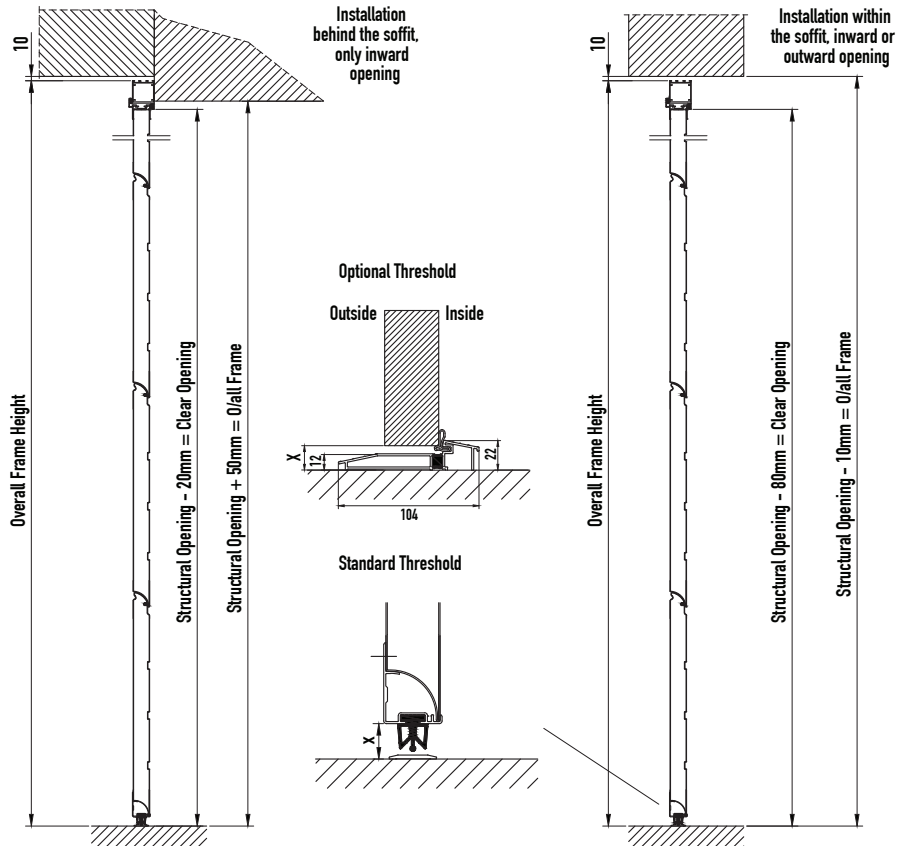
### Dimensions and Clearances



**IMPORTANT**  
 When doors are ordered as a structural opening size, Teckentrup UK will deduct 20mm from the width and 10mm from the height for coursing tolerance. If this is more tolerance than you wish, please state the over-frame dimension you require.



The section height and the height of the handle 'x' depend on the actual door height and construction of the door.





# GREAT FOR SERVICE

## WE ARE PASSIONATE

When you phone, write or e-mail you will get staff members giving you the answers to your questions. You will find us knowledgeable and passionate. Why? Because we care!

## WE PROMISE

- To remember that every door has a story and each door matters.
- To remember that a job well done builds the trust and confidence needed for you to order the next door.
- To remember that communication in a timely, honest and open manner, good news or bad, builds trust.
- To remember that problems are solved by a strong partnership and a "can-do" attitude.

**SALES & GENERAL ENQUIRIES**

**CALL: 01925 924050**



**ALISON RODGER**  
M: 07769 936 388

E: [a.rodger@teckentrup.co.uk](mailto:a.rodger@teckentrup.co.uk)



**CHLOE COOKSON**  
E: [c.cookson@teckentrup.co.uk](mailto:c.cookson@teckentrup.co.uk)



**RHIANNA WELLINGS**  
E: [r.wellings@teckentrup.co.uk](mailto:r.wellings@teckentrup.co.uk)



**ELEANOR MYERS**  
E: [e.myers@teckentrup.co.uk](mailto:e.myers@teckentrup.co.uk)



**IAN ASTIN**  
M: 07714 496 194  
E: [i.astin@teckentrup.co.uk](mailto:i.astin@teckentrup.co.uk)



**JIM RODGER**  
M: 07595 024 137  
E: [j.rodger@teckentrup.co.uk](mailto:j.rodger@teckentrup.co.uk)



**BRIAN MILNE (DRIVER)**  
M: 07595 024 141